

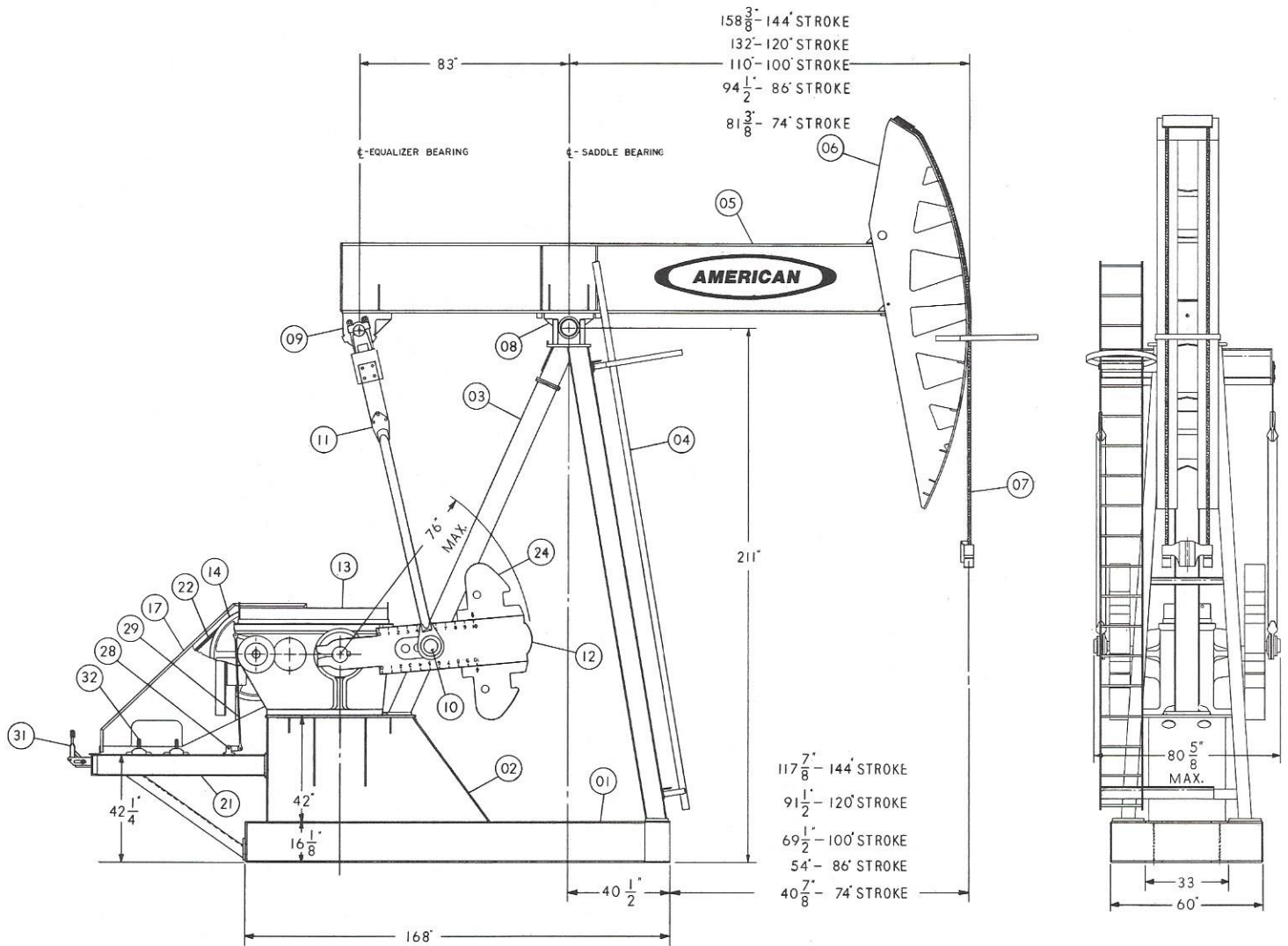




INTERNATIONAL MANUFACTURING CORPORATION

"3TC" SERIES PUMPING UNITS

REDUCERS: D 3 2 0 G	CRANKS: K - 7 6 - 3 2 0	STROKES: 1 4 4 "
D 2 2 8 G	KL - 7 6 - 3 2 0	1 2 0 "
D 1 6 0 G	K - 7 6 - 3 6	1 0 0 "
D 1 1 4 G	KL - 7 6 - 3 6	8 6 "
		7 4 "



**AIMCO**

OIL FIELD EQUIPMENT SINCE 1924

P.O. BOX 7037 • FORT WORTH, TEXAS 76111 • TELEPHONE 817/838-2301 • TELEX — 794817

• DALLAS, TEXAS • MIDLAND, TEXAS • ODESSA, TEXAS • SHREVEPORT, LOUISIANA • BAKERSFIELD, CALIFORNIA • HOUSTON, TEXAS  
 • OKLAHOMA CITY, OKLAHOMA • TULSA, OKLAHOMA • DENVER, COLORADO • CASPER, WYOMING