

Bethlehem PUMPING UNITS

PARTS LIST

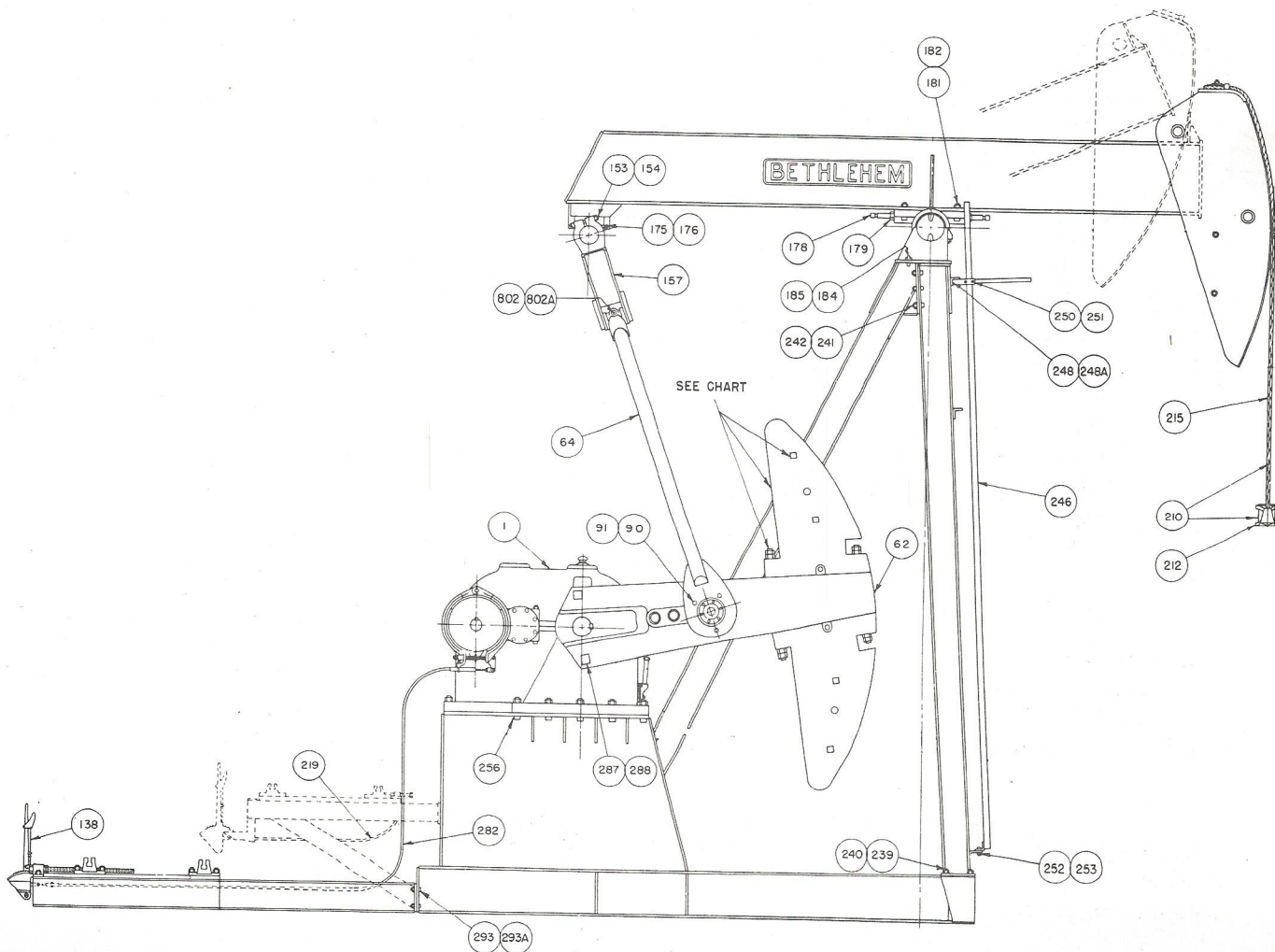
160-143-64

160-169-54

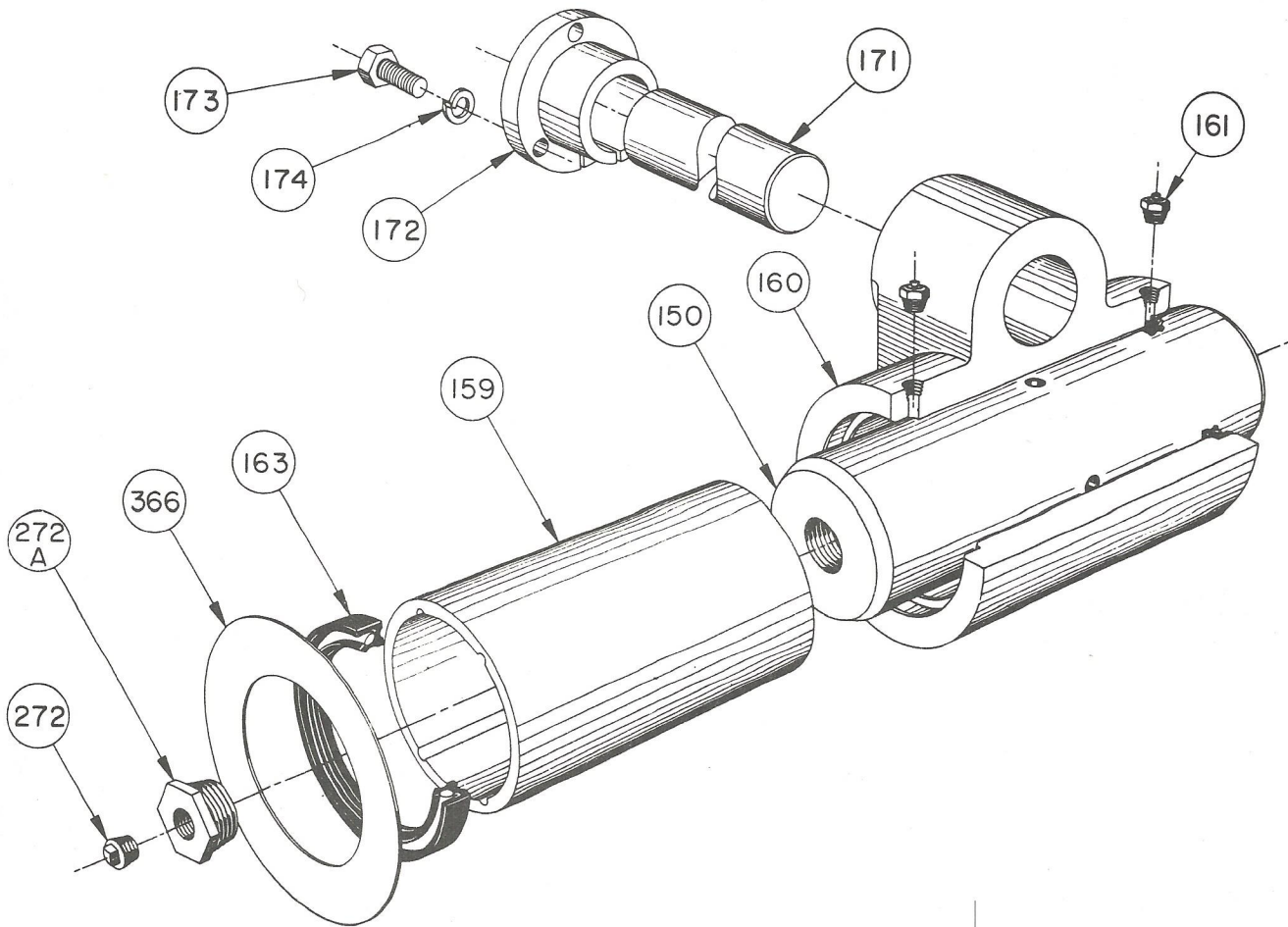
INSTRUCTIONS FOR ORDERING PARTS

The following information must be furnished with all orders for BETHLEHEM API Pumping Unit Parts:

1. Structural designation of Unit, e. g. 160-143-64.
2. Serial Number of Unit (This number is stamped on gear box name plate.)

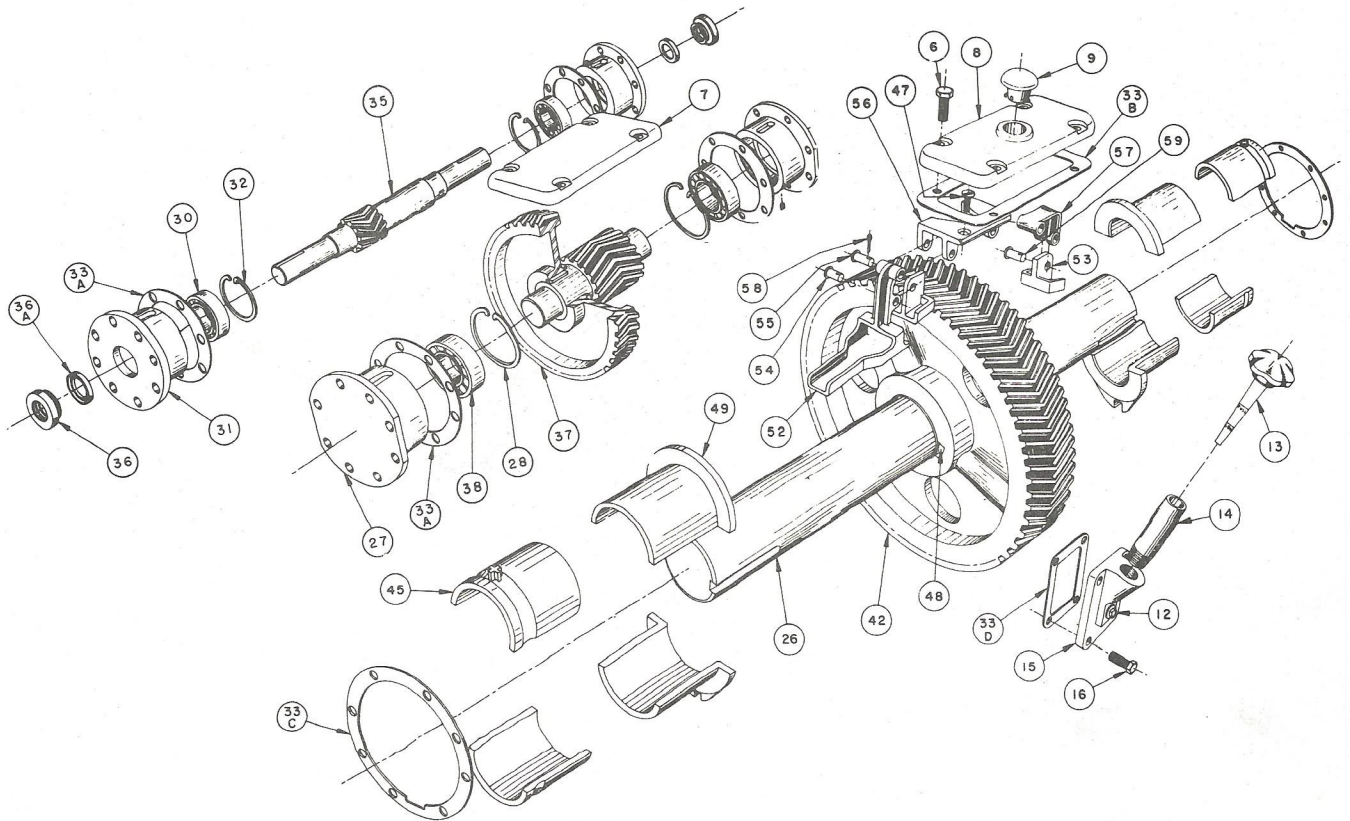


Bethlehem PUMPING UNITS



<u>Item No.</u>	<u>Part No.</u>	<u>Description</u>	<u>No. Req'd.</u>
		ASSEMBLY, EQUALIZER BEARING #E-37	1
150	BM 34440	Shaft, Equalizer Bearing	1
159	AM 34438	Bushing, Equalizer Bearing	1
160	BM 34439	Housing, Equalizer Bearing	1
161	AP 34160	Alemite Relief Fitting 1/8" #317400	2
163	E 920510	Oil Seal	2
171	AM 28305	Pin, Equalizer Bearing to Beam	1
172	AM 28311	Adjusting Bushing, Bearing to Beam	1
173	907416	Cap Screw, for Adj. Bushing	3
174	904114	Lockwasher	3
272	923802	Pipe Plug	1
272-A	925244	Pipe Bushing	1
366	AM 29408	Shim, Equalizer Bearing	1

Bethlehem PUMPING UNITS



160DA GEAR REDUCER

Item No.	Part No.	Description	No. Req'd.	Item No.	Part No.	Description	No. Req'd.
6	907250	Cap Screw, Inspection Cover, 1/2 x 1-1/2"	8	36	AM 26860	Oil Seal, H. S. Shaft	2
7	AM 05031	Inspection Cover H. S. Shaft	1	36A	AP 26861	Slinger, H. S. Oil Seal	2
8	AM 05039	Inspection Cover L. S. Shaft	1	37	BM 05063	S. S. Pinion and H. S. Gear Assembly	1
9	AP 12944	Breather	1	38	952017	Bearing, S. S. Pinion	2
12	923810	Pipe Plug, Oil Drain, 1"	1	42	CM 08255	Slow Speed Gear	1
13	BP 08761	Oil Gage	1	45	BM 05048	Bronze Bushing, Crankshaft, Long	1
14	AM 09569	Pipe for Oil Gage	1	46	Not Used	Lock Washer, Oil Wiper	1
15	AM 09901	Cover Plate, Oil Drain	1	47	913186	Cap Screw, Flat Head, Oil Wiper 1/2 x 1-1/4"	2
16	907250	Cap Screw, Cover Plate 1/2" x 1-1/4"	4	48	AM 05034	Key, S. S. Gear to Crankshaft	1
26	BM 05046	Crankshaft	1	49	BM 05047	Bronze Bushing, Crankshaft, Short	1
27	BM 08055	Bearing Carrier, S. S. Pinion	2	51	Not Used	Blade, Oil Wiper, See Item 53	1
28	AP 06837	Snap Ring, S. S. Pinion Bearing Carrier	2	52	BM 05043	Spout, Oil Wiper (Integral with Hanger)	1
30	952015	Bearing, H. S. Pinion	2	53	AM 04716	Blade, Oil Wiper	2
31	BM 08058	Bearing Carrier, H. S. Pinion	2	54	Not Used		
32	AP 05024	Snap Ring, H. S. Pinion Bearing Carrier	2	55	AM 04667	Oil Wiper Pin, Hanger to Bracket	2
33	AM 10890	Gaskets for Gear Box, Set, Complete	1	56	AM 05030	Bracket, Oil Wiper	1
33A	AP 05164	Gasket, Bearing Carrier, H. S. Pin, S. S. Pin.	4	57	AM 05213	Hanger, Oil Wiper	1
33B	AP 05148	Gasket Inspection Covers	2	58	916046	Cotter, Oil Wiper Pins	4
33C	AP 05163	Gasket, Crankshaft Oil Seal	2	59	AM 05029	Oil Wiper Pin, Blade to Spout	1
33D	AP 09480	Gasket, Oil Drain Cover Plate	1	59A	AM 05022	Oil Wiper Pin, Blade (53) to Hanger (57) Not Shown	1
35	BM 08057	H. S. Pinion	1				

STRUCTURAL COMPONENTS

Item No.	Part No.	Description	No. Req'd.
1	DM 26888	Assembly, Reducer, 160DA	1
62	CM 29246	Crank, 5456-B	2
64	BM 35881	Pitman, 59-1/2" Centers	2
90	N 907416	Screw, Cap, 3/4" x 2" (Pitman to Wrist Pin)	6
91	904114	Washer, Lock, 3/4" (Pitman to Wrist Pin)	6
153	902664	Bolt, Mach. w/Hex Nut 1" x 6-1/2" (Cross Beam to Tail Bearing)	2
154	904118	Washer, Lock, 1" (Cross Beam to Tail Bearing)	2
157	CM 35991	Cross Beam	1
175	902672	Bolt, Mach. w/Hex Nut 1" x 8-1/2" (Tail Bearing to Beam)	2
176	904118	Washer, Lock, 1" (Tail Bearing to Beam)	2
178	908308	Jack Screw (Adjusting Bolt, Beam) 7/8"x5-1/2" Cup Point Set Screw	2
179	903114	Nut, Hex Jam 7/8"	2
181	902562	Bolt, Mach. w/Hex Nut 7/8" x 3-1/2" (Saddle to Beam)	4
182	904116	Washer, Lock, 7/8" (Saddle to Beam)	4
184	902656	Bolt, Mach. w/Hex Nut 1" x 4-1/2" (Saddle Bearing to Post)	4
185	904118	Washer, Lock, 1" (Saddle Bearing to Post)	4
210	BM 11189	Assembly, Wire Line 169-54	1
210	BM 36118	Assembly, Wire Line 143-64	1
212	CM 10828	Carrier Bar	1
215		Wire Line, Size 1" x 16'-0" (169-54) 1"x18'-3 (143-64)	1
219	BP-21610	Brake Cable 7'-0", Elevated Electric Motor	1
239	902646	Bolt, Mach. w/Hex Nut 1"x2-1/2" (Post to Base)	8
240	904118	Washer, Lock, 1" (Post to Base)	8
241	902458	Bolt, Mach. w/Hex Nut 3/4"x1-1/2" (Rear to Front Post Leg)	12
242	904114	Washer, Lock, 3/4" (Rear to Front Post Leg)	12
246	BM 34871	Ladder	1
248	902458	Bolt, Mach. w/Hex Nut 3/4"x1-1/2" (Ladder Bracket to Post)	2
248-A	904114	Washer, Lock, 3/4" (Ladder Bracket to Post)	2
250	902280	Bolt, Mach. w/Hex Nut 1/2"x1-3/4" (Clamps Upper Ladder Bracket)	4
251	904108	Washer, Lock, 1/2" (Clamps Upper Ladder Bracket)	4
252	902460	Bolt, Mach. w/Hex Nut 3/4"x1-3/4" (Ladder to Base)	2
253	904114	Washer Lock 3/4" (Ladder to Base)	2
256	902836	Bolt, Mach. w/Hex Nut, 1-1/4" x 4-1/2" (Reducer to Sub Base)	9
282	BP 13467	Brake Cable 10'-6", High Speed Engine	1
287	902848	Bolt, Mach. w/Hex Nut 1-1/4" x 7-1/2" (Counter weight Stop)	4
288	904122	Washer, Lock, 1-1/4" (Counterweight Stop)	4
293	902464	Bolt, Mach. w/Hex Nut 3/4" x 2-1/4" (Base Joint)	4
293-A	904014	Washer, Cut 3/4" (Base Joint)	4
802	902658	Bolt, Mach. w/Hex Nut 1" x 5" (Upper Pitman Connection)	2
802-A	904118	Washer, Lock, 1" (Upper Pitman Connection)	2

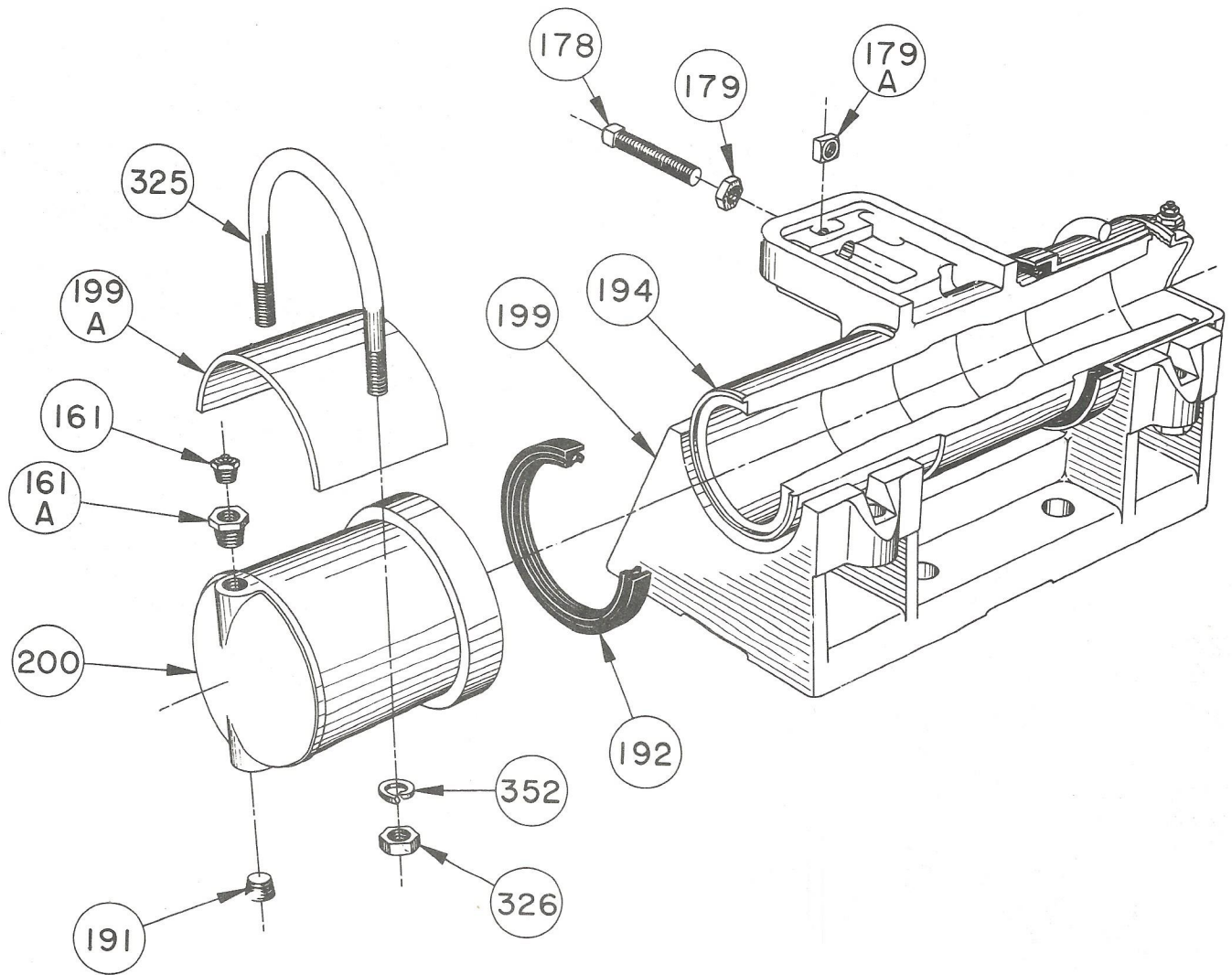
COUNTERWEIGHT BOLTS: QUANTITY, SIZE, PART NUMBER

Counter Weight	78R - DM 34706	68R - DM 34662
Size and Part Number	78L - DM 34707	68L - DM 34663
Quantity of Bolts	2 Bolts	2 Bolts
Bolt Size and Part Number	1-1/4" x 11" A-5051	1-1/4" x 11" A-5051

FILLERWEIGHT BOLTS: QUANTITY, SIZE, PART NUMBER

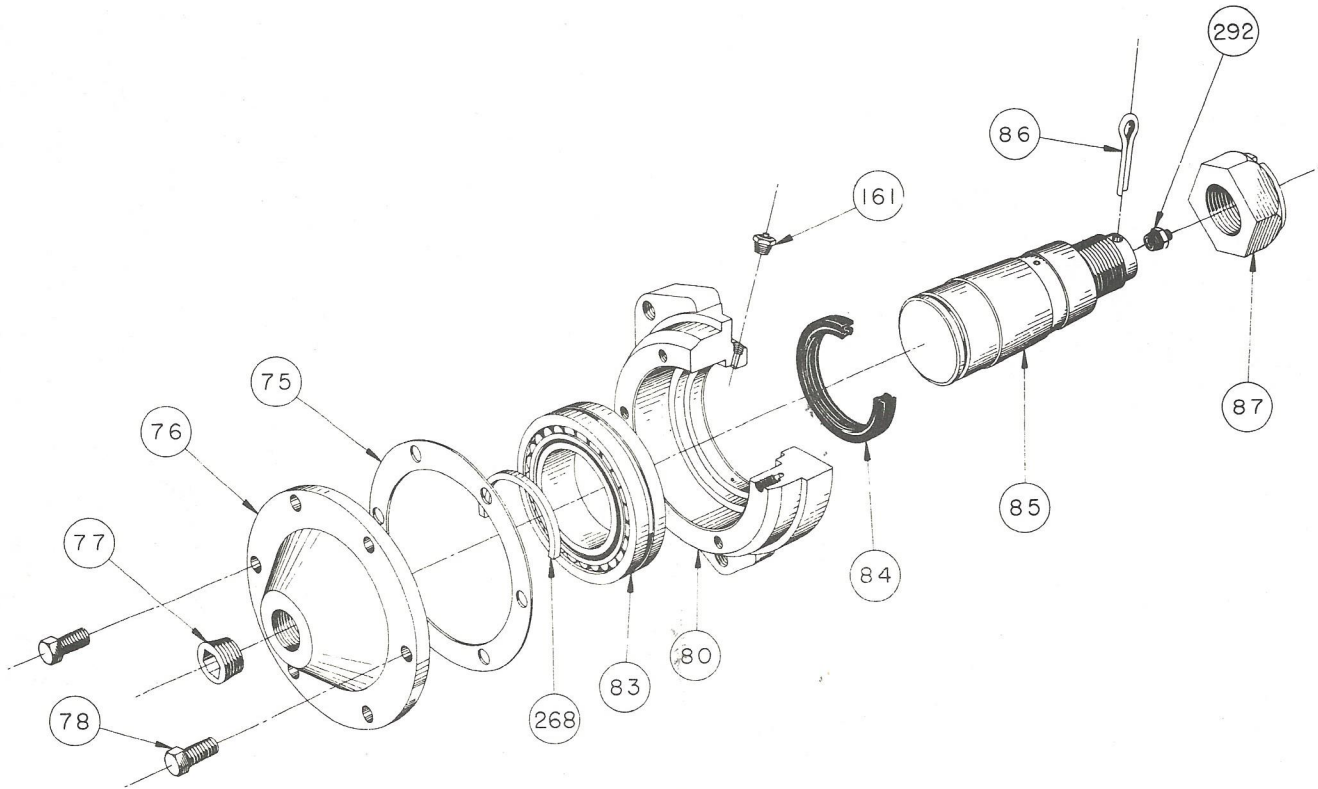
Filler Weight	78 CF-34708	68 DF-34688
Quantity of Bolts	2 Bolts	2 Bolts
Bolt Size and Part Number	1" x 10" A-34839	1" x 10" A-34839

Bethlehem PUMPING UNITS



<u>Item No.</u>	<u>Part No.</u>	<u>Description</u>	<u>No. Req'd.</u>
		ASSEMBLY, SADDLE BEARING - #C-63	1
161	AP 34160	Alemite Relief Fitting, 1/8" #317400	2
161-A	925042	Pipe Bushing, 3/8" x 1/8"	2
178	908308	Bolt, Adjusting 7/8" x 5-1/2" Cup Point Set Screw	2
179	903114	Nut, Hex Jam, 7/8"	2
179-A	935014	Nut, Square, 7/8"	2
191	923803	Pipe Plug, Flush 3/8"	2
192	SP10804	Oil Seal	2
194	YM60349	Saddle	1
199	XM 60992	Saddle Bearing Base	1
199-A	VM 60359	Saddle Bearing Cap	2
200	WM 60361	Bushing, Saddle	2
325	VM 60358	U-Bolt, 7/8"	2
326	903014	Nut, Hex, 7/8"	4
352	904116	Lock Washer, 7/8"	4

Bethlehem PUMPING UNITS



<u>Item No.</u>	<u>Part No.</u>	<u>Description</u>	<u>No. Req'd.</u>
	CM 34941	WRIST PIN BEARING ASSEMBLY 4SL	1
75	AP 29221	Gasket, W. P. Bearing Housing	1
76	CM 29225	Cap, Bearing	1
77	923907	Pipe Plug	1
78	907250	Cap Screw Hex Head	6
80	CM 29224	Housing, W. P. Bearing	1
83	AP 29222	Bearing, Spherical Roller	1
84	920370	Oil Seal	1
85	BM 34940	Wrist Pin	1
86	916268	Cotter Key	1
87	AM 05226	Nut, Wrist Pin	1
161	AP 04811	Alemite Relief Fitting 1/8" #317400	1
268	AP 23226	Snap Ring	1
292	AP 14327	Alemite Fitting	1