

DANSCO

MANUFACTURING, INC.



*Over 140 years combined experience designing,
building and maintaining pumping units -
a company with a proven reputation for
standing behind what they sell*

Celebrating 30 years • 1976-2006

All DANSCO units are designed to meet or exceed API specifications.

Field proven designs for long, dependable service - wide range of models to fit most applications

DANSCO Pumping Units The success of DANSCO pumping units is based on simplicity of engineering, ease of maintenance and continuing improvement in pumping unit design.

General Construction The Bases and Samson Posts are constructed of wide flange beams for durability and stability. All DANSCO units break down into components of reasonable size for ease of shipment, field erection and service.

Unit Bases Bases are suitable for any common type of prime mover, such as electric motors, gasoline or natural gas engines. Correct unit bases for individual applications are provided, including low and high mount for electric motor and extended bases for gas engines. Most sizes of units are also available with wide skid bases for temporary erection or erection of units where concrete bases are not available or practical.

Walking Beams Walking beams are rated in accordance with A.P.I. specifications and are constructed from rolled steel wide flange beams.

Horseheads The horsehead on all units is easily removable to provide clearance for well servicing.

Cranks Cranks are of cast iron with a split boss for ease of assembly and removal.



New ideas for real savings

The DANSCO Magnum for Fiberglass Rods

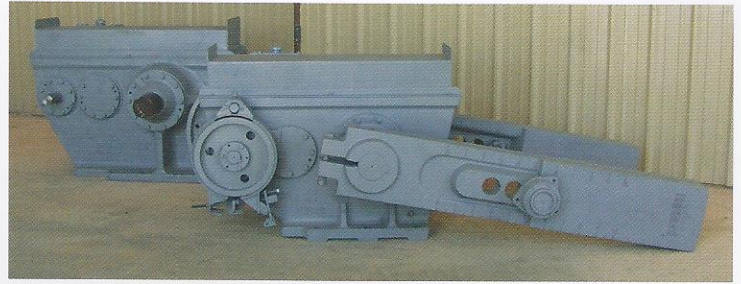
- *Lower initial investment*
- *Reduce operating cost*
- *Move more fluid*
- *Reduce peak torques*

DANSCO G Style Special Features

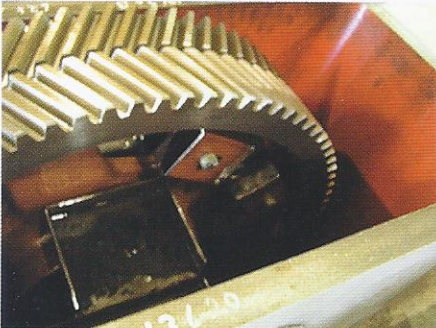
Available in sizes from 114-912



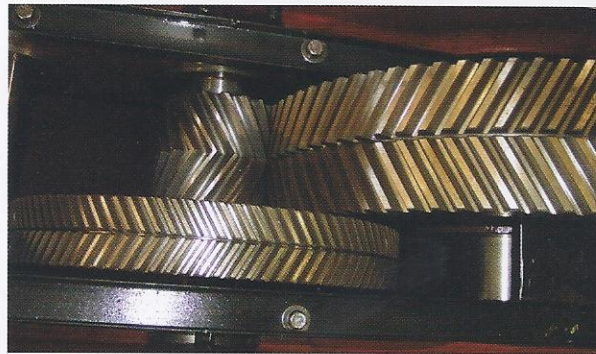
Heavy cast iron gear case



Both large and small inspection lids



Dipping cups on LS gear that oils at any speed



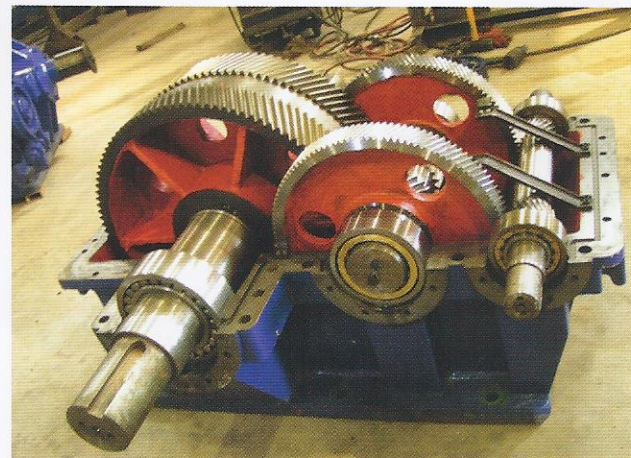
Proven Herringbone gears



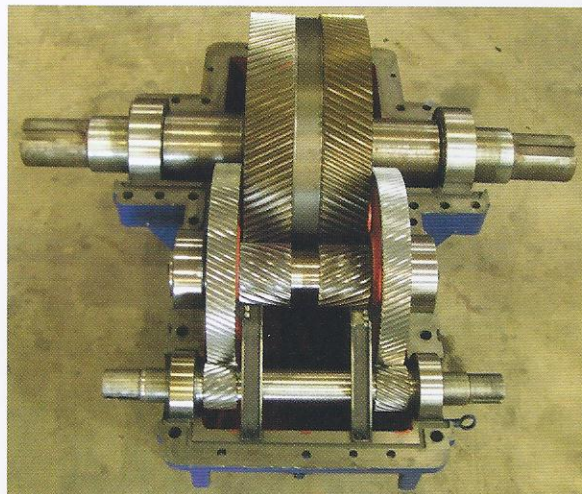
Availability of replacement parts

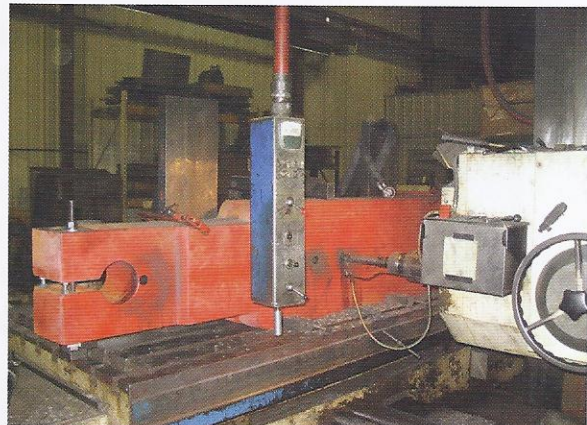
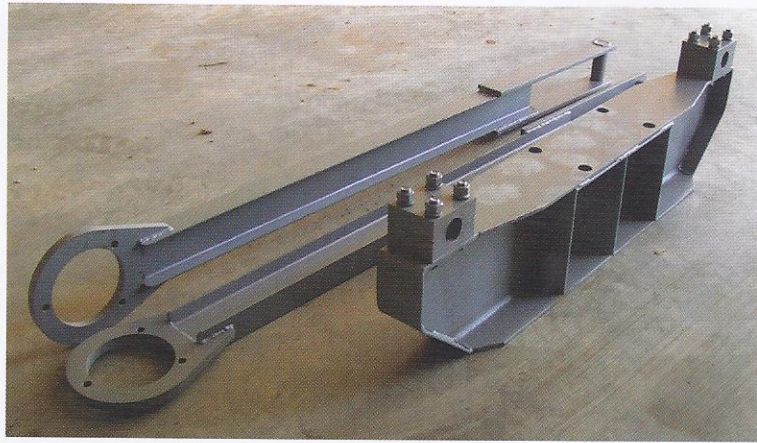
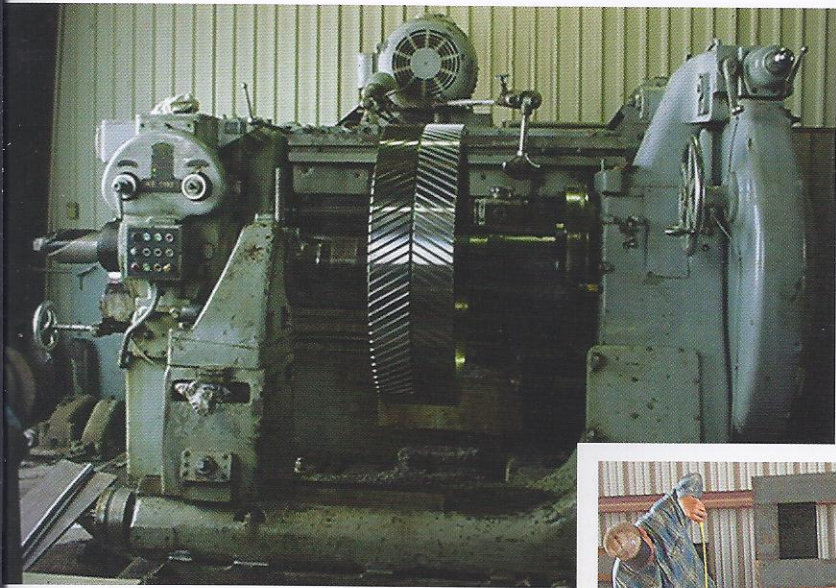
DANSCO ST Series Sizes from 16-1280

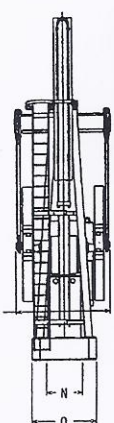
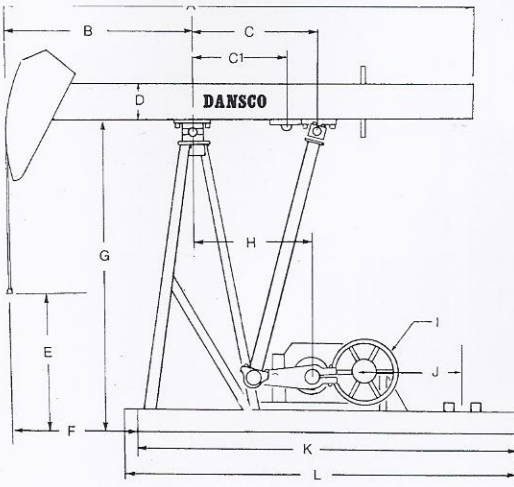
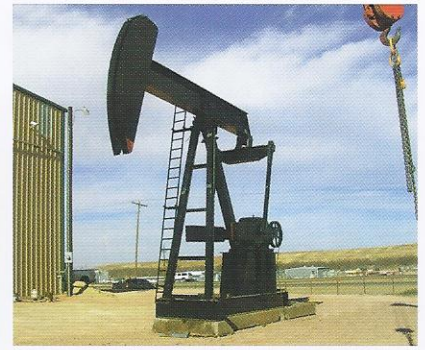
Heavy duty casting case with oversize gears & bearings designed for the cyclic loads of pump jacks. Parts stocked in Abilene, Texas and Lloydminster, Alberta, Canada



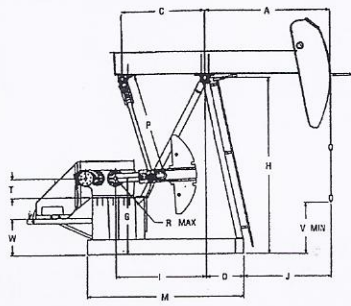
- Improved oiling system unique to DANSCO
- Inch dimension bolts - not metric
- Standard shaft size







MODEL	A	B	C	C1	D	E	F	G	H	I	J	K	L
16-53-30	120"	38 1/2"	31 1/2"	25"	10"	54 1/2"	34"	78"	29 1/2"	15.4"	32"	88"	102"
25-67-36	130"	43"	43"	36"	12"	51"	37"	86"	43 1/2"	20"	32"	126"	132"
40-76-42	156"	50"	60"	50"	12"	68 1/2"	34"	110"	50"	20"	37"	156"	174"
57-89-48	181"	60"	70"	60"	12"	72"	44"	110"	60"	20"	37"	156"	174"



All catalog information is general in nature and is not intended for specific application purposes. Danisco reserves the right to make changes in specifications shown herein or improvements at any time without notice or obligation.

MODEL	A	C	D	G	H	I	J	M	N	O	P	R	T	V	W
912-305-192	17'-7"	10'-2"	4'-7 7/8"	121"	23'-2"	11'-0"	12'-11 1/8"	19'-4"	3'-3 1/2"	5'-10 1/2"	159"	53"	30"	4'-2"	4'-10 1/8"
912-365-168	15'-4 3/4"	10'-2"	4'-7 7/8"	121"	23'-2"	11'-0"	10'-8 7/8"	19'-4"	3'-3 1/2"	5'-10 1/2"	159"	53"	30"	4'-11"	4'-10 1/8"
640-365-168	15'-4 3/4"	10'-2"	4'-7 7/8"	121"	23'-2"	11'-0"	10'-8 7/8"	19'-4"	3'-3 1/2"	5'-10 1/2"	159"	53"	30"	4'-11"	4'-10 1/8"
640-256-144	13'-2 1/2"	10'-2"	4'-7 7/8"	121"	23'-2"	11'-0"	6'-4 1/8"	19'-4"	3'-3 1/2"	5'-10 1/2"	159"	53"	30"	7'-4 3/4"	4'-10 1/8"
456-305-144	13'-2 1/2"	8'-3 1/2"	3'-7 1/2"	105.25"	21'-0 1/4"	9'-2"	9'-7"	20'-0"	3'-1 3/4"	5'-8"	146 5/8"	43"	28"	5'-6"	4'-0"
456-365-120	11'-0"	10'-2"	4'-7 7/8"	119"	23'-2"	11'-0"	6'-4 1/8"	20'-0"	3'-3 1/2"	5'-10 1/2"	161"	53"	28"	7'-4 1/4"	4'-10 1/8"
456-305-120	11'-0"	10'-2"	4'-7 7/8"	119"	23'-2"	11'-0"	6'-4 1/8"	20'-0"	3'-3 1/2"	5'-10 1/2"	161"	53"	28"	7'-4 1/4"	4'-10 1/8"
320-256-144	9'-2"	8'-3 1/2"	3'-7 1/2"	101.25"	21'-0 1/4"	9'-2"	9'-7"	18'-0"	2'-4"	6'-8"	150 1/2"	43"	24"	5'-6"	4'-0"
320-256-120	11'-0"	8'-3 1/2"	3'-7 1/2"	101.25"	21'-0 1/4"	9'-2"	7'-4 5/8"	18'-0"	2'-4"	6'-8"	150 1/2"	43"	24"	5'-3"	4'-0"
320-305-100	9'-2"	8'-3 1/2"	3'-7 1/2"	101.25"	21'-0 1/4"	9'-2"	5'-6 5/8"	18'-0"	2'-4"	6'-8"	150 1/2"	43"	24"	5'-1 1/2"	4'-0"
228-213-100	9'-2"	6'-11"	3'-4 1/2"	82"	17'-7"	7'-6 1/8"	5'-9 1/2"	16'-1"	2'-2"	5'-8"	128"	36"	24"	4'-5 7/8"	3'-6 1/4"
228-246-86	7'-10 1/2"	6'-11"	3'-4 1/2"	82"	17'-7"	7'-6 1/8"	4'-6"	16'-1"	2'-2"	5'-8"	128"	36"	24"	4'-3 15/16"	3'-6 1/4"
160-173-100	9'-2"	6'-11"	3'-4 1/2"	78"	17'-7"	7'-6 1/8"	4'-9 1/2"	16'-1"	2'-2"	5'-8"	132"	36"	20"	4'-5 7/8"	3'-6 1/4"
160-173-86	7'-10 1/2"	6'-11"	3'-4 1/2"	78"	17'-7"	7'-6 1/8"	4'-6"	16'-1"	2'-2"	5'-8"	132"	36"	20"	4'-3 15/16"	3'-6 1/4"
160-200-74	6'-9 1/2"	6'-11"	3'-4 1/2"	78"	17'-7"	7'-6 1/8"	3'-5"	16'-1"	2'-2"	5'-8"	132"	36"	20"	4'-2 3/8"	3'-6 1/4"
114-173-74	6'-9 1/2"	7'-10"	3'-4 1/2"	78"	17'-7"	7'-6 1/8"	3'-5"	14'-0"	2'-9"	5'-0"	132"	36"	20"	4'-2 3/8"	3'-6 1/4"
114-143-64	6'-9 1/2"	6'-11"	3'-4 1/2"	78"	17'-7"	7'-6 1/8"	3'-5"	14'-0"	2'-9"	5'-0"	132"	36"	20"	4'-6"	3'-6 1/4"

All units shipped pre-assembled within trucking limitations



D-57-109-48



D-456-305-120



D-80-133-54



D-320-305-100

**THE
ANSWER
IS
BACK**

16 - 912 available

*1280's available
in 2006*



D-114-179-64



D-228-213-86



D-160--200-76

DANSKO

CONVENTIONAL UNITS