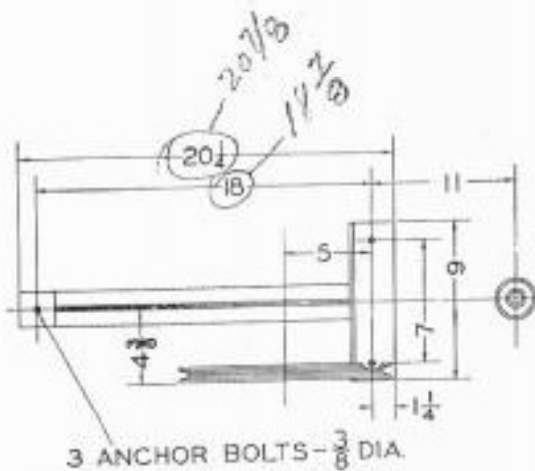
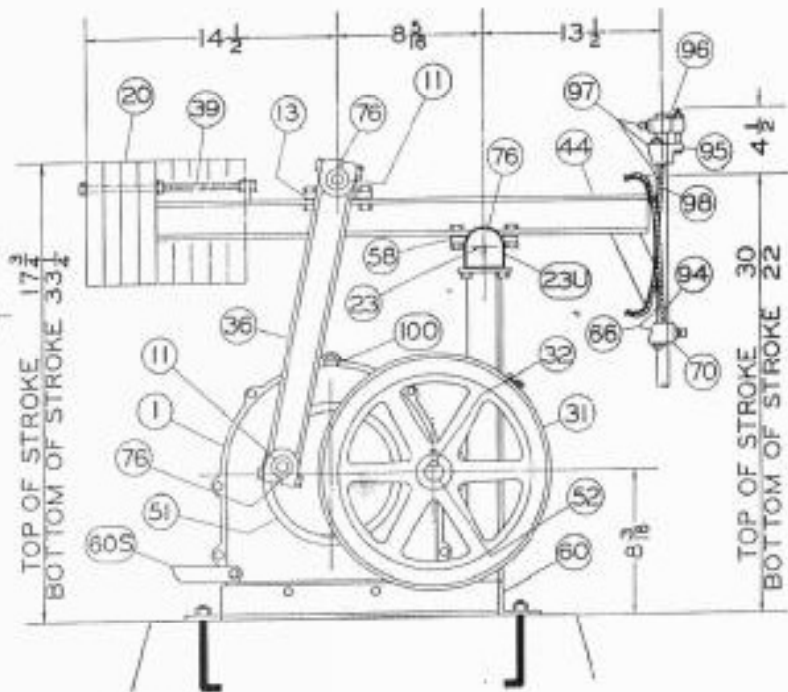


BOLT SETTING AND PARTS FOR NO. 13W9



NOTICE:

TOP OF STUFFING BOX MUST BE LESS THAN 7" ABOVE TOP OF FOUNDATION.



PARTS LIST

Cut No.	Name of Part	No. Pcs.	Part No.	Wt. Each	Cut No.	Name of Part	No. Pcs.	Part No.	Wt. Each
1.	Gear Housing	1	12W1R6L	33	60.	Frame	1	13W60	14
11.	Beam Pitman Pin & Wrist Pin	2	13W11	1 1/2	60S.	Motor Slide Rail	1	13WSR	1 1/2
13.	Beam Pitman Bearing	1	13W13	2 1/2	65B.	Pinion Bearing (blank side)	1	13W65B	3/4
20.	Beam Weight		13W20	17	65P.	Pinion Bearing (pulley side)	1	13W65P	3/4
23.	Saddle Bearing	2	13W23	1	66.	Cable Assembly	1	13W66-9	1
23U.	Saddle Bearing U Bolt	2	13W23U	3/4	70.	Polished Rod Crosshead	1	13W70	3/4
31.	Pulley	1	13W31	11 3/4	76.	Saddle Brg., Beam Brg., & Wrist Pin Oil Seal	6	13W76	3/8
32.	Pulley Key	1	13W32	3/4	94.	Cable (less crosshead)	1	13W94-9	3/4
36.	Pitman	2	13W36	6 1/2	95.	Upper Polished Rod Crosshead	1	13W95	1/2
39.	Beam Weight Bolt	1	13W39	3/4	96.	Hold Down Clamp	1	13W96	3/4
44.	Beam & Cable Head	1	13W44-9	13 25	97.	Pull Down Cable Assembly	1	13W97-9	1
51.	Ball Gear	1	13W51	18	98.	Pull Down Cable (less crosshead)	1	13W98-9	3/4
52.	Pinion	1	13W52	1 1/4	99.	Oil Level Cup	1	13W99	7/8
58.	Saddle	1	13W58	2	100.	Oil Filler Cup	1	13W100	7/8

ABSOLUTELY NECESSARY TO GIVE SERIAL NUMBER WHEN ORDERING PARTS

(All Weights above for One Piece Only)

All dimensions and specifications subject to change without notice.

For Serial No. 13W9 Only

Jensen Bros. Mfg. Co., Inc.

14th & Pacific Sts.,

Coffeyville, Kansas, U. S. A.

EXPORT OFFICE: 250 PARK AVE., NEW YORK 17, NEW YORK, U.S.A.