



CONVENTIONAL PUMPING UNIT

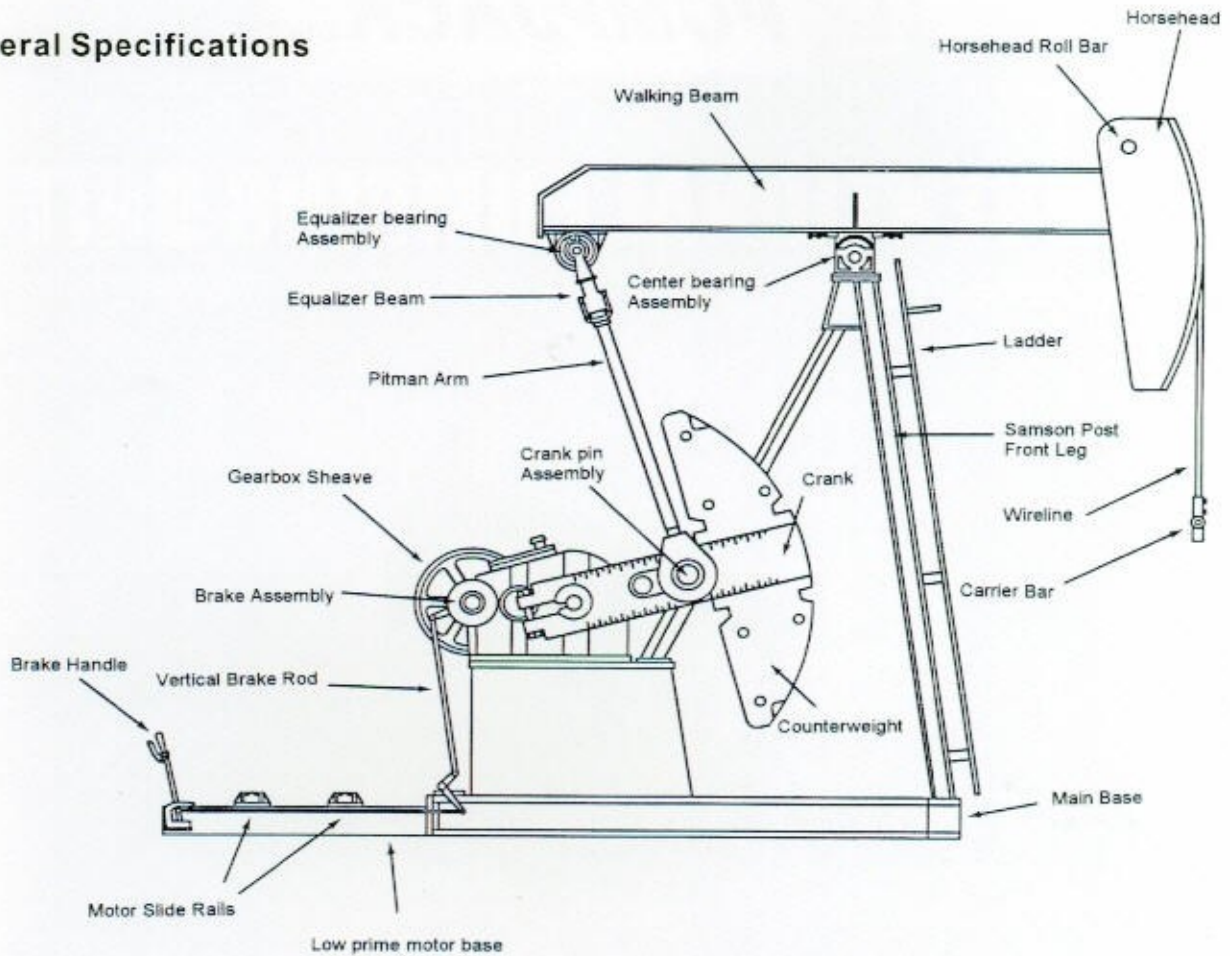
API Rear Mounted Geometry Class I Lever System with Crank Counterbalance



Photo: C-912D-365-168
Operating in Montana, USA

CONVENTIONAL PUMPING UNIT

General Specifications



GEAR REDUCER

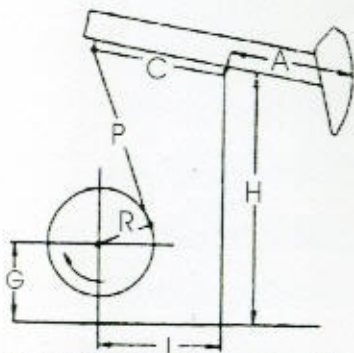
LS PUMPJACK's Conventional Pumping Units benefit from both the DCA (Double Circular Arc) advanced gear tooth profile of the Gear Reducer and its Conventional Geometry which allows for operation in both directions of rotation (while keeping same mechanical efficiency), insuring long, reliable operating life.



STRUCTURE & BEARINGS

LS PUMPJACK's Conventional Pumping Unit structures are designed as 2-point, enabling loads from the pumping well to be evenly transferred all along the main base. Meanwhile, strong over-designed beams and bearing assemblies ensure loads are softly handled throughout the entire life of the unit.

Unit Designation	Polished Rod Capacity, Lbs.	Stroke Length in Inches
C-1280D-365-192	36,500	192, 165, 138
C-1280D-305-240	30,500	240, 206, 177
C-1280D-365-216	36,500	216, 185, 159
C-1280D-427-192	42,700	192, 165, 138
C-912D-305-240	30,500	240, 206, 177
C-912D-365-192	36,500	192, 165, 138
C-912D-365-168	36,500	168, 144, 121
C-912D-305-168	30,500	168, 144, 121
C-912D-427-144	42,700	144, 123, 102
C-912D-365-144	36,500	144, 123, 102
C-640D-365-168	36,500	168, 144, 121
C-640D-305-168	30,500	168, 144, 121
C-640D-365-144	36,500	144, 123, 102
C-640D-305-144	30,500	144, 123, 102
C-640D-256-144	25,600	144, 122, 101
C-640D-305-120	30,500	120, 102, 84
C-456D-305-168	30,500	168, 144, 121
C-456D-305-144	30,500	144, 123, 102
C-456D-256-144	25,600	144, 122, 101
C-456D-365-120	36,500	120, 102, 84
C-456D-305-120	30,500	120, 102, 84
C-456D-256-120	25,600	120, 102, 84
C-456D-213-120	21,300	120, 102, 84
C-456D-256-100	25,600	100, 85, 70
C-320D-256-144	25,600	144, 122, 101
C-320D-256-120	25,600	120, 102, 84
C-320D-213-120	21,300	120, 102, 84
C-320D-305-100	30,500	100, 85, 70
C-320D-256-100	25,600	100, 85, 70
C-320D-246-86	24,600	86, 74, 62
C-320D-213-86	21,300	86, 74, 62
C-320D-246-74	24,600	74, 64, 53
C-228D-185-144	18,500	144, 122, 101
C-228D-213-120	21,300	120, 102, 84
C-228D-213-100	21,300	100, 86, 72
C-228D-173-100	17,300	100, 86, 72
C-228D-246-86	24,600	86, 74, 62
C-228D-213-86	21,300	86, 74, 62
C-228D-200-74	20,000	74, 64, 53
C-228D-173-74	17,300	74, 64, 53
C-160D-173-100	17,300	100, 86, 72
C-160D-173-86	17,300	86, 74, 62
C-160D-200-74	20,000	74, 64, 53
C-160D-173-74	17,300	74, 62, 51
C-160D-143-74	14,300	74, 62, 51
C-114D-119-100	11,900	100, 86, 72
C-114D-143-86	14,300	86, 72, 58
C-114D-119-86	11,900	86, 72, 58
C-114D-143-74	14,300	74, 62, 51
C-114D-143-64	14,300	64, 55, 44
C-114D-173-64	17,300	64, 55, 44
C-114D-119-64	11,900	64, 53, 41



Conventional Pumping Unit
API Linkage Nomenclature

CONVENTIONAL PUMPING UNITS-APILinkage Table

UNIT MODEL	A	C	P	H	I	G	R1	R2	R3	SU	T.F. @ 90° / Max. Stroke
C-1280D-365-192	206.9	120.1	159.8	274	120.1	114.2	53.5	46.5	39.4	-689	90.1
C-1280D-305-240	222.6	120.1	212.6	324.8	120.1	112.2	61.4	53.5	46.5	-1340	111.7
C-1280D-365-216	200	120.1	189	301.2	120.1	112.2	61.4	53.5	46.5	-930	99.78
C-1280D-427-192	206.9	120.1	159.8	274	120.1	112.2	53.5	46.5	39.4	-700	90.1
C-912D-305-240	222.6	120.1	212.6	324.8	120.1	112.2	61.4	53.5	46.5	-1340	111.7
C-912D-365-192	206.9	120.1	159.8	274	120.1	114.2	53.5	46.5	39.4	-689	90.1
C-912D-305-192	209.9	120.1	159.8	274	120.1	114.2	53.5	46.5	39.4	-868	90.1
C-912D-365-168	181.1	120.1	149.6	263.4	120.1	113.8	53.5	46.5	39.4	-69	78.59
C-912D-305-168	181.1	120.1	149.6	263.4	120.1	113.8	53.5	46.5	39.4	-60	78.59
C-912D-427-144	181.1	120.1	149.6	255.9	120.1	106.3	46.5	40	33.5	750	68.83
C-912D-365-144	181.1	120.1	149.6	255.9	120.1	106.3	46.5	40	33.5	685	68.83
C-640D-305-192	206.9	120.1	159.8	274	120.1	114.2	53.5	46.5	39.4	-855	90.1
C-640D-365-168	181.1	120.1	149.6	263.4	120.1	113.8	53.5	46.5	39.4	-69	78.59
C-640D-305-168	181.1	120.1	149.6	263.4	120.1	113.8	53.5	46.5	39.4	-54	78.59
C-640D-365-144	181.1	120.1	149.6	255.9	120.1	106.3	46.5	40	33.5	-677	68.83
C-640D-305-144	181.1	120.1	149.6	255.9	120.1	106.3	46.5	40	33.5	-550	68.83
C-640D-256-144	185.2	111	133.9	231.5	111	96.5	41.9	35.8	29.7	-390	68.65
C-640D-305-120	154.5	111	133.9	231.5	111	96.5	41.9	35.8	29.7	65	57.33
C-456D-256-192	206.9	120.1	159.8	274	120.1	114.2	53.5	46.5	39.4	-876	90.1
C-456D-305-168	181.1	120.1	149.6	263.4	120.1	113.8	53.5	46.5	39.4	-277	78.59
C-456D-305-144	181.1	120.1	149.6	255.9	120.1	106.3	46.5	40	33.5	550	68.83
C-456D-256-144	185.2	111	133.9	231.5	111	96.5	41.9	35.8	29.7	-400	68.65
C-456D-365-120	154.53	111	133.9	231.5	111	96.5	41.9	35.8	29.7	67	57.33
C-456D-305-120	154.53	111	133.9	231.5	111	96.5	41.9	35.8	29.7	60	57.33
C-456D-256-120	154.53	111	133.9	231.5	111	96.5	41.9	35.8	29.7	140	57.33
C-456D-213-120	154.53	111	133.9	231.5	111	96.5	41.9	35.8	29.7	45	57.33
C-456D-256-100	129.1	111	133.9	231.5	111	96.5	41.9	35.8	29.7	882	47.91
C-320D-256-144	185.2	111	133.9	231.5	111	96.5	41.9	35.8	29.7	-410	68.73
C-320D-213-144	185.2	111	133.9	231.5	111	96.5	41.9	35.8	29.7	-410	68.73
C-320D-256-120	154.5	111	133.9	231.5	111	96.5	41.9	35.8	29.7	70	57.33
C-320D-213-120	154.5	111	133.9	231.5	111	96.5	41.9	35.8	29.7	35	57.33
C-320D-305-100	129.1	111	133.9	231.5	111	96.5	41.9	35.8	29.7	882	47.91
C-320D-256-100	129.1	111	133.9	231.5	111	96.5	41.9	35.8	29.7	882	47.91
C-320D-246-86	111	96.1	116.1	194.9	96.1	78.8	36.2	31.3	26.4	627	41.13
C-320D-213-86	111	96.1	116.1	194.9	96.1	78.8	36.2	31.3	26.4	615	41.13
C-320D-246-74	96.1	96.1	116.1	194.9	96.1	78.8	36.2	31.3	26.4	850	35.59
C-228D-185-144	185.2	111	133.9	231.5	111	96.5	41.9	35.8	29.7	-580	68.73
C-228D-213-120	154.5	111	133.9	231.5	111	96.5	41.9	35.8	29.7	35	57.33
C-228D-213-100	129.1	96.1	116.1	194.9	96.1	78.8	36.2	31.3	26.4	83	47.84
C-228D-173-100	129.1	96.1	116.1	194.9	96.1	78.8	36.2	31.3	26.4	96	47.84
C-228D-246-86	111	96.1	116.1	194.9	96.1	78.8	36.2	31.3	26.4	630	41.13
C-228D-213-86	111	96.1	116.1	194.9	96.1	78.8	36.2	31.3	26.4	617	41.13
C-228D-200-74	96.1	96.1	116.1	194.9	96.1	78.8	36.2	31.3	26.4	870	35.59
C-228D-173-74	96.1	96.1	116.1	194.9	96.1	78.8	36.2	31.3	26.4	850	35.59
C-160D-173-100	129.1	96.1	116.1	194.9	96.1	78.8	36.2	31.3	26.4	300	47.84
C-160D-173-86	111	96.1	116.1	194.9	96.1	78.8	36.2	31.3	26.4	615	41.13
C-160D-200-74	96.1	96.1	116.1	194.9	96.1	78.8	36.2	31.3	26.4	873	35.59
C-160D-173-74	96.1	84	96.5	165.7	84	69.2	31.7	26.8	21.9	830	35.52
C-160D-143-74	96.1	84	96.5	165.7	84	69.2	31.7	26.8	21.9	668	35.52
C-114D-119-100	129.1	96.1	116.1	194.9	96.1	78.8	36.2	31.3	26.4	77	47.84
C-114D-143-86	111	84	96.5	165.7	84	69.2	31.7	26.8	21.9	305	41.05
C-114D-119-86	111	84	96.5	165.7	84	69.2	31.7	26.8	21.9	305	41.05
C-114D-143-74	96.1	84	96.5	165.7	84	69.2	31.7	26.8	21.9	660	35.52
C-114D-143-64	84	84	96.5	165.7	84	69.2	31.7	26.8	21.9	440	31.08
C-114D-173-64	84	84	96.5	165.7	84	69.2	31.7	26.8	21.9	440	31.08
C-114D-119-64	84	64	74.8	128	64	53.2	24	19.7	15.4	36	30.97

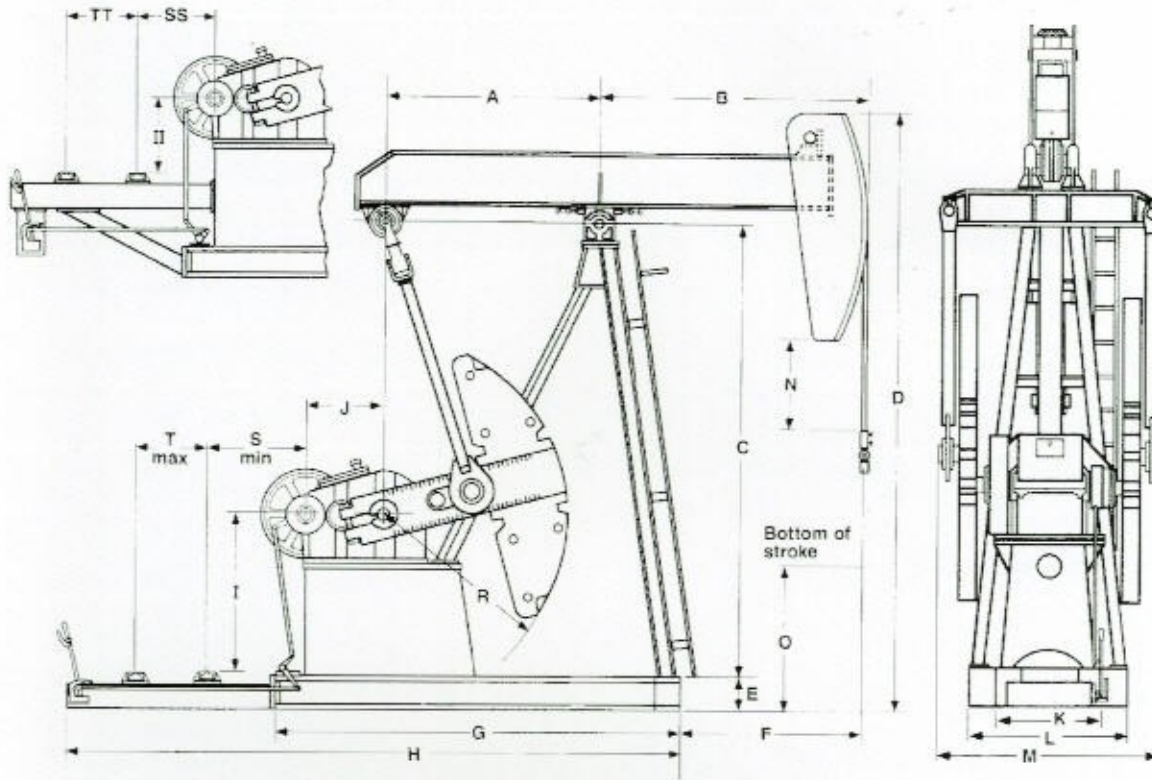
Dimensions subject to change without notice.

CONVENTIONAL PUMPING UNITS-Maximum ECB(Effective Conterbalance)Table

UNIT MODEL	Crank Name	ECB Cranks-only	ECB for LS Counterweight Sizes								
			No. 1	No. 2	No. 3	No. 4	No. 5	No. 6	No. 7	No. 8	No. 9
C-1280D-365-192	4354	3,967	22,559	19,029	17,257	16,014	14,188	12,337	10,455	8,464	7,116
C-1280D-365-168	4354	5,559	26,822	22,784	20,757	19,336	17,248	15,131	12,979	10,701	9,160
C-1280D-305-168	4354	5,573	26,886	22,839	20,808	19,383	17,290	15,168	13,011	10,728	9,183
C-1280D-427-144	4045	5,784	-	23,608	21,569	20,093	17,925	15,751	13,535	11,175	9,568
C-1280D-365-144	4045	5,784	-	23,608	21,569	20,093	17,925	15,751	13,535	11,175	9,568
C-912D-365-192	4354	4,346	22,915	19,389	17,619	16,377	14,554	12,705	10,826	8,837	7,491
C-912D-365-168	4354	5,942	27,179	23,146	21,122	19,702	17,617	15,503	13,353	11,078	9,539
C-912D-305-168	4354	5,942	27,179	23,146	21,122	19,702	17,617	15,503	13,353	11,078	9,539
C-912D-427-144	4045	5,784	-	23,608	21,569	20,093	17,925	15,751	13,535	11,175	9,568
C-912D-365-144	4045	5,784	-	23,608	21,569	20,093	17,925	15,751	13,535	11,175	9,568
C-640D-365-168	4354	5,898	27,211	23,164	21,133	19,708	17,615	15,493	13,336	11,053	9,508
C-640D-305-168	4354	5,788	27,101	23,054	21,023	19,598	17,505	15,383	13,226	10,943	9,398
C-640D-365-144	4045	5,784	-	23,608	21,569	20,093	17,925	15,751	13,535	11,175	9,568
C-640D-305-144	4045	5,518	-	23,342	21,303	19,827	17,659	15,485	13,269	10,909	9,302
C-640D-256-144	4045	5,298	-	23,122	21,084	19,607	17,439	15,265	13,049	10,689	9,083
C-640D-305-120	3064	5,372	-	24,189	22,301	20,732	18,404	16,104	13,751	11,226	9,494
C-456D-305-168	4354	5,573	26,886	22,839	20,808	19,383	17,290	15,168	13,011	10,728	9,183
C-456D-305-144	3064	3,821	-	*19,570	*17,989	16,676	14,728	12,803	10,834	8,720	7,270
C-456D-256-144	4045	5,298	-	23,122	21,084	19,607	17,439	15,265	13,049	10,689	9,083
C-456D-365-120	3064	5,496	-	*24,355	*22,464	20,906	18,571	16,264	13,903	11,369	9,632
C-456D-305-120	3064	5,391	-	*24,258	*22,367	20,808	18,472	16,163	13,801	11,266	9,528
C-456D-256-120	3064	4,667	-	*23,484	*21,596	20,027	17,699	15,399	13,046	10,521	8,789
C-456D-213-120	3064	4,747	-	*23,564	*21,676	20,107	17,779	15,479	13,126	10,601	8,869
C-456D-256-100	3064	6,961	-	*29,571	*27,302	25,417	22,620	19,856	17,029	13,995	11,941
C-320D-119-168	3064	2,621	-	*16,133	*14,777	13,650	11,979	10,328	8,638	6,825	5,581
C-320D-256-144	3064	3,726	-	*19,506	*17,922	16,606	14,655	12,726	10,753	8,635	7,182
C-320D-213-144	3064	3,192	-	*18,768	*17,204	15,906	13,979	12,075	10,128	8,038	6,604
C-320D-119-144	3064	3,223	-	*18,913	*17,339	16,030	14,090	12,172	10,210	8,104	6,660
C-320D-256-120	3064	4,670	-	*23,499	*21,609	20,040	17,711	15,409	13,055	10,528	8,794
C-320D-213-120	3064	4,679	-	*23,235	*21,372	19,825	17,530	15,262	12,942	10,451	8,743
C-320D-305-100	3064	6,960	-	*29,584	*27,313	25,427	22,629	19,863	17,034	13,998	11,915
C-320D-256-100	3064	6,956	-	*29,566	*27,297	25,412	22,615	19,851	17,024	13,990	11,909
C-320D-246-86	1940	4,432	-	-	-	-	17,968	15,697	13,344	10,748	8,921
C-320D-213-86	1940	3,828	-	-	-	-	17,310	15,049	12,704	10,120	8,300
C-320D-246-74	1940	5,041	-	-	-	-	20,629	18,014	15,304	12,315	10,211
C-228D-185-144	3064	3,630	-	-	-	-	14,643	12,699	10,711	8,577	7,113
C-228D-213-120	3064	4,747	-	19,721	17,949	16,610	17,779	15,479	13,126	10,601	8,869
C-228D-213-100	1940	3,564	-	*23,564	*21,676	20,107	15,165	13,218	11,201	8,977	7,412
C-228D-173-100	1940	3,029	-	-	-	-	14,629	12,682	10,666	8,442	6,876
C-228D-246-86	1940	4,398	-	-	-	-	17,880	15,619	13,274	10,690	8,870
C-228D-213-86	1940	3,828	-	-	-	-	17,310	15,049	12,704	10,120	8,300
C-228D-200-74	1940	5,041	-	-	-	-	20,629	18,014	15,304	12,315	10,211
C-228D-173-74	1940	5,041	-	-	-	-	20,629	18,014	15,304	12,315	10,211
C-160D-119-120	1940	2,077	-	-	-	-	11,732	10,112	8,433	6,582	5,279
C-160D-173-100	1940	2,969	-	-	-	-	14,570	12,624	10,607	8,383	6,817
C-160D-173-86	1940	3,809	-	-	-	-	17,291	15,029	12,685	10,100	8,281
C-160D-200-74	1940	5,019	-	-	-	-	20,607	17,992	15,281	12,293	10,189
C-160D-173-74	1587	2,219	-	-	-	-	*14,802	*13,388	11,704	9,312	7,586
C-160D-143-74	1587	3,219	-	-	-	-	*14,802	13,388	11,704	9,312	7,586
C-114D-119-100	1940	2,991	-	-	-	-	14,592	12,646	10,629	8,405	6,839
C-114D-143-86	1587	3,166	-	-	-	-	13,998	12,271	10,456	8,401	6,918
C-114D-119-86	1587	3,515	-	-	-	-	-	-	9,853	7,784	6,291
C-114D-143-74	1587	3,219	-	-	-	-	-	-	11,704	9,312	7,586
C-114D-173-64	1587	3,651	-	-	-	-	-	-	13,349	10,615	8,642
C-114D-143-64	1587	4,113	-	-	-	-	-	-	15,346	12,179	9,894

All Values Shown in Lbs. of Effective Counterbalance (ECB) at Polish Rod w/ Four Weights At Maximum Position on Crank, at Longest Stroke Length

*Maximum ECB achieved with Counterweight positioned not at end of crank arm.
Contact LS Petrochem Equipment for counterweight maximum position on crank.



CONVENTIONAL PUMPING UNITS - General Dimensions

UNIT MODEL	A	B	C	D	E	F	G	H	I	J	K	L	M	N	O	R	II	S	SS	TT	
C-1280D-365-192	10'	17'-3"	21'	31'-3"	22'	13-1/4"	20'-4 1/2"	29'-5"	98 1/2"	52 1/2"	51 1/2"	76"	111 1/2"	20'	50"	110"	47 1/2"	62"	48"	26 1/2"	50 1/2"
C-1280D-305-240	10'	18'-6 1/2"	25'-2 1/2"	37'-3 1/2"	22"	13-11 1/2"	19'-11 1/2"	29'-5"	98 1/2"	52 1/2"	51 1/2"	76"	111 1/2"	20'	54"	110"	47 1/2"	62"	48"	26 1/2"	50 1/2"
C-1280D-365-216	10'	16'-8"	23'-3 1/2"	34'-4 1/2"	22"	12-7/8"	19'-11 1/2"	29'-5"	93 3/4"	52 1/2"	51 1/2"	76"	111 1/2"	20'	54"	110"	47 1/2"	62"	48"	26 1/2"	50 1/2"
C-1280D-427-192	10'	17'-3"	21'	31'-3"	22"	13-1 1/4"	19'-5 1/2"	29'-5"	96 1/2"	52 1/2"	51 1/2"	76"	111 1/2"	20'	50"	110"	47 1/2"	62"	48"	26 1/2"	50 1/2"
C-912D-305-240	10'	18'-6 1/2"	25'-2 1/2"	37'-3 1/2"	22"	13-11 1/2"	19'-7 1/2"	29'-5"	96 1/2"	48 1/2"	51 1/2"	76"	109 1/2"	20'	54"	110"	47 1/2"	62"	48"	26 1/2"	50 1/2"
C-912D-365-192	10'	17'-3"	21'	31'-3"	22"	13-1 1/4"	20'-1 1/2"	29'-1 1/2"	96 1/2"	48 1/2"	51 1/2"	76"	109 1/2"	20'	50"	110"	47 1/2"	62"	48"	26 1/2"	50 1/2"
C-912D-305-192	10'	17'-3"	21'	31'-3"	22"	13-2 1/2"	19'-7 1/2"	30'-6 1/2"	96 1/2"	48 1/2"	51 1/2"	76"	109 1/2"	20'	48 1/2"	110"	47 1/2"	62"	48"	26 1/2"	50 1/2"
C-912D-365-168	10'	15'-1"	20'-5 1/2"	29'-5 1/2"	17 1/2"	11-3/4"	20'-1 1/2"	29'-1 1/2"	98"	48 1/2"	51 1/2"	72"	109 1/2"	20'	81"	110"	47 1/2"	62"	48"	26 1/2"	50 1/2"
C-912D-305-168	10'	15'-1"	20'-5 1/2"	29'-5 1/2"	17 1/2"	11'-1"	20'-1 1/2"	29'-1"	98"	48 1/2"	51 1/2"	72"	109 1/2"	20'	81"	110"	47 1/2"	62"	48"	26 1/2"	50 1/2"
C-912D-427-144	10'	15'-1"	19'-10 1/2"	27'-12"	17 1/2"	11-3/8"	20'-1 1/2"	29'-1 1/2"	90 1/2"	48 1/2"	51 1/2"	72"	109 1/2"	20'	73"	102 1/2"	47 1/2"	62"	48"	26 1/2"	50 1/2"
C-912D-365-144	10'	15'-1"	19'-10 1/2"	27'-12"	17 1/2"	11-3/8"	20'-7/8"	29'-1"	90 1/2"	48 1/2"	51 1/2"	72"	109 1/2"	20'	73"	102 1/2"	47 1/2"	62"	48"	26 1/2"	50 1/2"
C-640D-305-192	10'	17'-3"	21'-4 1/2"	31'-3"	17 1/2"	13-2 1/2"	19'-5 1/2"	28'-6 1/2"	96 1/2"	41 1/2"	51 1/2"	76"	106"	20'	50"	110"	52"	62"	48"	26 1/2"	50 1/2"
C-640D-365-168	10'	15'-1"	20'-5 1/2"	29'-5 1/2"	17 1/2"	11-1/2"	10'-5 1/2"	28'-5 1/2"	98"	41 1/2"	51 1/2"	72"	106"	20'	81"	110"	52"	62"	48"	26 1/2"	50 1/2"
C-640D-305-168	10'	15'-1"	20'-5 1/2"	29'-5 1/2"	17 1/2"	11'-1"	19'-5"	28'-5"	98"	41 1/2"	51 1/2"	72"	106"	20'	81"	110"	52"	62"	48"	26 1/2"	50 1/2"
C-640D-365-144	10'	15'-1"	19'-10 1/2"	27'-12"	17 1/2"	8-11 1/2"	19'-5"	28'-5"	90 1/2"	41 1/2"	51 1/2"	72"	106"	20'	73"	102 1/2"	52"	62"	48"	26 1/2"	50 1/2"
C-640D-305-144	10'	15'-1"	19'-10 1/2"	27'-12"	17 1/2"	11'-1"	19'-5"	28'-5"	90 1/2"	41 1/2"	51 1/2"	72"	104 1/2"	20'	73"	102 1/2"	52"	62"	48"	26 1/2"	50 1/2"
C-640D-256-144	9'-3"	15'-5 1/2"	17'-11 1/2"	25'-8 1/2"	15 1/2"	11-10 1/2"	18'-6 1/2"	26'-9"	82 1/2"	41 1/2"	47 1/2"	69 1/2"	101"	20'	73"	94 1/2"	53"	62"	48"	26 1/2"	37 1/2"
C-640D-305-120	9'-3"	12'-10 1/2"	17'-11 1/2"	25'	15 1/2"	9-3 1/2"	18'-6 1/2"	26'-9"	82 1/2"	41 1/2"	47 1/2"	69 1/2"	101"	20'	79"	94 1/2"	53"	62"	48"	26 1/2"	37 1/2"

NOTE: Do not use above dimensions for foundation. Request foundation plan.

CONVENTIONAL PUMPING UNITS - General Dimensions (continued)

UNIT MODEL	A	B	C	D	E	F	G	H	I	J	K	L	M	N	O	R	II	S	T	SS	TT
C-456D-256-192	10'	17'-3"	21'-4 ¹ / ₂ "	31'-3"	17 ¹ / ₂ "	13'-2 ¹ / ₂ "	19'-2"	27'-4"	98 ¹ / ₂ "	38 ¹ / ₂ "	47 ¹ / ₂ "	76"	103 ¹ / ₂ "	20"	50"	110"	52"	62"	48"	26 ¹ / ₂ "	50 ¹ / ₂ "
C-456D-305-168	10'	15'-1"	20'-5 ¹ / ₂ "	29'-5 ¹ / ₂ "	17 ¹ / ₂ "	11'-1"	19'-2"	27'-4"	98"	38 ¹ / ₂ "	47 ¹ / ₂ "	72"	103 ¹ / ₂ "	20"	81"	110"	52"	62"	48"	26 ¹ / ₂ "	50 ¹ / ₂ "
C-456D-305-144	10'	15'-1"	19'-10 ¹ / ₂ "	27'-12"	17 ¹ / ₂ "	11'-10 ¹ / ₂ "	19'-2"	27'-4"	98"	38 ¹ / ₂ "	47 ¹ / ₂ "	72"	102"	20"	73"	102 ¹ / ₂ "	52"	62"	48"	26 ¹ / ₂ "	50 ¹ / ₂ "
C-456D-256-144	9'-3"	15'-5 ¹ / ₂ "	17'-11 ¹ / ₂ "	25'-8 ¹ / ₂ "	15 ¹ / ₂ "	11'-10 ¹ / ₂ "	18'-5"	26'-1"	82 ¹ / ₂ "	38 ¹ / ₂ "	43 ¹ / ₂ "	69 ¹ / ₂ "	98"	20"	51"	94 ¹ / ₂ "	53"	62"	48"	26 ¹ / ₂ "	37 ¹ / ₂ "
C-456D-365-120	9'-3"	12'-10 ¹ / ₂ "	17'-11 ¹ / ₂ "	25'	15 ¹ / ₂ "	9'-3 ¹ / ₂ "	18'-5"	26'-1"	82 ¹ / ₂ "	38 ¹ / ₂ "	43 ¹ / ₂ "	69 ¹ / ₂ "	102"	20"	79"	94 ¹ / ₂ "	53"	62"	48"	26 ¹ / ₂ "	37 ¹ / ₂ "
C-456D-305-120	9'-3"	12'-10 ¹ / ₂ "	17'-11 ¹ / ₂ "	25'	15 ¹ / ₂ "	9'-3 ¹ / ₂ "	18'-5"	26'-1"	82 ¹ / ₂ "	38 ¹ / ₂ "	43 ¹ / ₂ "	69 ¹ / ₂ "	98"	20"	79"	94 ¹ / ₂ "	53"	62"	48"	26 ¹ / ₂ "	37 ¹ / ₂ "
C-456D-256-120	9'-3"	12'-10 ¹ / ₂ "	17'-11 ¹ / ₂ "	25'	15 ¹ / ₂ "	9'-3 ¹ / ₂ "	18'-5"	26'-1"	82 ¹ / ₂ "	38 ¹ / ₂ "	43 ¹ / ₂ "	69 ¹ / ₂ "	98"	20"	79"	94 ¹ / ₂ "	53"	62"	48"	26 ¹ / ₂ "	37 ¹ / ₂ "
C-456D-213-120	9'-3"	12'-10 ¹ / ₂ "	17'-11 ¹ / ₂ "	25'	15 ¹ / ₂ "	9'-3 ¹ / ₂ "	18'-5"	26'-1"	82 ¹ / ₂ "	38 ¹ / ₂ "	43 ¹ / ₂ "	69 ¹ / ₂ "	98"	20"	79"	94 ¹ / ₂ "	53"	62"	48"	26 ¹ / ₂ "	37 ¹ / ₂ "
C-456D-256-100	9'-3"	10'-9 ¹ / ₂ "	17'-11 ¹ / ₂ "	24'	15 ¹ / ₂ "	7'-2 ¹ / ₂ "	18'-5"	26'-1"	82 ¹ / ₂ "	38 ¹ / ₂ "	43 ¹ / ₂ "	69 ¹ / ₂ "	98"	20"	94"	94 ¹ / ₂ "	53"	62"	48"	27 ¹ / ₂ "	34 ¹ / ₂ "
C-320D-256-144	9'-3"	15'-5 ¹ / ₂ "	17'-11 ¹ / ₂ "	25'-8 ¹ / ₂ "	15 ¹ / ₂ "	11'-10 ¹ / ₂ "	18'-2 ¹ / ₂ "	25'-11"	82 ¹ / ₂ "	37 ¹ / ₂ "	43 ¹ / ₂ "	69 ¹ / ₂ "	92 ¹ / ₂ "	20"	51"	94 ¹ / ₂ "	53"	62"	48"	30 ¹ / ₂ "	34 ¹ / ₂ "
C-320D-213-144	9'-3"	15'-5 ¹ / ₂ "	17'-11 ¹ / ₂ "	25'-8 ¹ / ₂ "	15 ¹ / ₂ "	11'-10 ¹ / ₂ "	18'-2 ¹ / ₂ "	25'-11"	82 ¹ / ₂ "	37 ¹ / ₂ "	43 ¹ / ₂ "	69 ¹ / ₂ "	92 ¹ / ₂ "	20"	51"	94 ¹ / ₂ "	53"	62"	48"	30 ¹ / ₂ "	34 ¹ / ₂ "
C-320D-256-120	9'-3"	12'-10 ¹ / ₂ "	17'-11 ¹ / ₂ "	25'	15 ¹ / ₂ "	9'-3 ¹ / ₂ "	18'-2 ¹ / ₂ "	25'-11"	82 ¹ / ₂ "	37 ¹ / ₂ "	43 ¹ / ₂ "	69 ¹ / ₂ "	92 ¹ / ₂ "	20"	79"	94 ¹ / ₂ "	53"	52"	48"	30 ¹ / ₂ "	34 ¹ / ₂ "
C-320D-213-120	9'-3"	12'-10 ¹ / ₂ "	17'-11 ¹ / ₂ "	25'	15 ¹ / ₂ "	9'-3 ¹ / ₂ "	18'-2 ¹ / ₂ "	25'-11"	82 ¹ / ₂ "	37 ¹ / ₂ "	43 ¹ / ₂ "	69 ¹ / ₂ "	92 ¹ / ₂ "	20"	79"	94 ¹ / ₂ "	53"	52"	48"	30 ¹ / ₂ "	34 ¹ / ₂ "
C-320D-305-100	9'-3"	10'-9 ¹ / ₂ "	17'-11 ¹ / ₂ "	24'	15 ¹ / ₂ "	7'-2 ¹ / ₂ "	18'-2 ¹ / ₂ "	25'-11"	82 ¹ / ₂ "	37 ¹ / ₂ "	43 ¹ / ₂ "	69 ¹ / ₂ "	92 ¹ / ₂ "	20"	94"	94 ¹ / ₂ "	53"	52"	48"	30 ¹ / ₂ "	34 ¹ / ₂ "
C-320D-256-100	9'-3"	10'-9 ¹ / ₂ "	17'-11 ¹ / ₂ "	24'	15 ¹ / ₂ "	7'-2 ¹ / ₂ "	18'-2 ¹ / ₂ "	25'-11"	82 ¹ / ₂ "	37 ¹ / ₂ "	43 ¹ / ₂ "	69 ¹ / ₂ "	92 ¹ / ₂ "	20"	94"	94 ¹ / ₂ "	53"	52"	48"	30 ¹ / ₂ "	34 ¹ / ₂ "
C-320D-246-86	8'	9'-3"	15'- ³ / ₂ "	20'-6"	14 ¹ / ₂ "	5'-11 ¹ / ₂ "	16'-3"	23'-11 ¹ / ₂ "	65 ¹ / ₂ "	37 ¹ / ₂ "	36 ¹ / ₂ "	56 ¹ / ₂ "	90 ¹ / ₂ "	20"	72"	76 ¹ / ₂ "	36"	50"	45 ¹ / ₂ "	30 ¹ / ₂ "	34 ¹ / ₂ "
C-320D-213-86	8'	9'-3"	15'- ³ / ₂ "	20'-6"	14 ¹ / ₂ "	5'-11 ¹ / ₂ "	16'-3"	23'-11 ¹ / ₂ "	65 ¹ / ₂ "	37 ¹ / ₂ "	36 ¹ / ₂ "	56 ¹ / ₂ "	90 ¹ / ₂ "	20"	72"	76 ¹ / ₂ "	36"	50"	45 ¹ / ₂ "	30 ¹ / ₂ "	34 ¹ / ₂ "
C-320D-246-74	8'	8'	15'- ³ / ₂ "	20'- ³ / ₂ "	14 ¹ / ₂ "	4'-8 ¹ / ₂ "	16'-3"	23'-11 ¹ / ₂ "	65 ¹ / ₂ "	37 ¹ / ₂ "	36 ¹ / ₂ "	56 ¹ / ₂ "	90 ¹ / ₂ "	20"	83"	76 ¹ / ₂ "	36"	50"	45 ¹ / ₂ "	30 ¹ / ₂ "	34 ¹ / ₂ "
C-228D-185-144	9'-3"	15'-5 ¹ / ₂ "	17'-11 ¹ / ₂ "	25'-8 ¹ / ₂ "	15 ¹ / ₂ "	11'-10 ¹ / ₂ "	17'-11"	25'-7 ¹ / ₂ "	82 ¹ / ₂ "	33 ¹ / ₂ "	36 ¹ / ₂ "	69 ¹ / ₂ "	84 ¹ / ₂ "	20"	51"	94 ¹ / ₂ "	53"	50"	45 ¹ / ₂ "	27 ¹ / ₂ "	34 ¹ / ₂ "
C-228D-213-120	9'-3"	12'-10 ¹ / ₂ "	17'-11 ¹ / ₂ "	25'	15 ¹ / ₂ "	9'-3 ¹ / ₂ "	15'-11"	25'-7 ¹ / ₂ "	82 ¹ / ₂ "	33 ¹ / ₂ "	36 ¹ / ₂ "	69 ¹ / ₂ "	84 ¹ / ₂ "	20"	79"	94 ¹ / ₂ "	53"	50"	45 ¹ / ₂ "	27 ¹ / ₂ "	34 ¹ / ₂ "
C-228D-213-100	8'	10'-9 ¹ / ₂ "	15'- ³ / ₂ "	21'-1"	14 ¹ / ₂ "	7'-5 ¹ / ₂ "	15'-11"	23'-7 ¹ / ₂ "	65 ¹ / ₂ "	33 ¹ / ₂ "	36 ¹ / ₂ "	56 ¹ / ₂ "	83 ¹ / ₂ "	20"	58"	76 ¹ / ₂ "	36"	50"	45 ¹ / ₂ "	27 ¹ / ₂ "	34 ¹ / ₂ "
C-228D-173-100	8'	10'-9 ¹ / ₂ "	15'- ³ / ₂ "	21'-1"	14 ¹ / ₂ "	7'-5 ¹ / ₂ "	15'-11"	23'-7 ¹ / ₂ "	65 ¹ / ₂ "	33 ¹ / ₂ "	36 ¹ / ₂ "	56 ¹ / ₂ "	83 ¹ / ₂ "	20"	58"	76 ¹ / ₂ "	36"	50"	45 ¹ / ₂ "	27 ¹ / ₂ "	34 ¹ / ₂ "
C-228D-246-86	8'	9'-3"	15'- ³ / ₂ "	20'-6"	14 ¹ / ₂ "	5'-11 ¹ / ₂ "	15'-11"	23'-7 ¹ / ₂ "	65 ¹ / ₂ "	33 ¹ / ₂ "	36 ¹ / ₂ "	56 ¹ / ₂ "	83 ¹ / ₂ "	20"	72"	76 ¹ / ₂ "	36"	50"	45 ¹ / ₂ "	27 ¹ / ₂ "	34 ¹ / ₂ "
C-228D-213-86	8'	9'-3"	15'- ³ / ₂ "	20'-6"	14 ¹ / ₂ "	5'-11 ¹ / ₂ "	15'-11"	23'-7 ¹ / ₂ "	65 ¹ / ₂ "	33 ¹ / ₂ "	36 ¹ / ₂ "	56 ¹ / ₂ "	83 ¹ / ₂ "	20"	72"	76 ¹ / ₂ "	36"	50"	45 ¹ / ₂ "	27 ¹ / ₂ "	34 ¹ / ₂ "
C-228D-200-74	8'	8'	15'- ³ / ₂ "	20'- ³ / ₂ "	14 ¹ / ₂ "	4'-8 ¹ / ₂ "	15'-11"	23'-7 ¹ / ₂ "	65 ¹ / ₂ "	33 ¹ / ₂ "	36 ¹ / ₂ "	56 ¹ / ₂ "	83 ¹ / ₂ "	20"	83"	76 ¹ / ₂ "	36"	50"	45 ¹ / ₂ "	27 ¹ / ₂ "	34 ¹ / ₂ "
C-228D-173-74	8'	8'	15'- ³ / ₂ "	20'- ³ / ₂ "	14 ¹ / ₂ "	4'-8 ¹ / ₂ "	15'-11"	23'-7 ¹ / ₂ "	65 ¹ / ₂ "	33 ¹ / ₂ "	36 ¹ / ₂ "	56 ¹ / ₂ "	83 ¹ / ₂ "	20"	83"	76 ¹ / ₂ "	36"	50"	45 ¹ / ₂ "	27 ¹ / ₂ "	34 ¹ / ₂ "
C-160D-173-100	8'	10'-9 ¹ / ₂ "	15'- ³ / ₂ "	21'-1"	14 ¹ / ₂ "	7'-6"	15'-7"	22'-1 ¹ / ₂ "	65 ¹ / ₂ "	29 ¹ / ₂ "	33 ¹ / ₂ "	56 ¹ / ₂ "	80 ¹ / ₂ "	20"	58"	76 ¹ / ₂ "	38"	45"	43"	26 ¹ / ₂ "	34 ¹ / ₂ "
C-160D-173-86	8'	9'-3"	15'- ³ / ₂ "	20'-6"	14 ¹ / ₂ "	5'-11 ¹ / ₂ "	15'-7"	22'-1 ¹ / ₂ "	65 ¹ / ₂ "	29 ¹ / ₂ "	33 ¹ / ₂ "	56 ¹ / ₂ "	80 ¹ / ₂ "	20"	72"	76 ¹ / ₂ "	38"	45"	43"	26 ¹ / ₂ "	34 ¹ / ₂ "
C-160D-200-74	8'	8'	15'- ³ / ₂ "	20'- ³ / ₂ "	14 ¹ / ₂ "	4'-8 ¹ / ₂ "	15'-7"	22'-1 ¹ / ₂ "	65 ¹ / ₂ "	29 ¹ / ₂ "	33 ¹ / ₂ "	56 ¹ / ₂ "	80 ¹ / ₂ "	20"	83"	76 ¹ / ₂ "	38"	45"	43"	26 ¹ / ₂ "	34 ¹ / ₂ "
C-160D-173-74	7'	8'	12'-10"	17'-7 ¹ / ₂ "	11 ¹ / ₂ "	5'-2 ¹ / ₂ "	14'-1"	20'-7 ¹ / ₂ "	58"	29 ¹ / ₂ "	33 ¹ / ₂ "	51 ¹ / ₂ "	78 ¹ / ₂ "	20"	54"	67"	29"	45"	43"	26 ¹ / ₂ "	34 ¹ / ₂ "
C-160D-143-74	7'	8'	12'-10"	17'-7 ¹ / ₂ "	11 ¹ / ₂ "	5'-2 ¹ / ₂ "	14'-1"	20'-7 ¹ / ₂ "	58"	29 ¹ / ₂ "	33 ¹ / ₂ "	51 ¹ / ₂ "	78 ¹ / ₂ "	20"	54"	67"	29"	45"	43"	26 ¹ / ₂ "	34 ¹ / ₂ "
C-114D-119-100	8'	10'-9 ¹ / ₂ "	15'- ³ / ₂ "	21'-1"	14 ¹ / ₂ "	7'-6 ¹ / ₂ "	15'-2 ¹ / ₂ "	21'-9"	65 ¹ / ₂ "	25 ¹ / ₂ "	33 ¹ / ₂ "	56 ¹ / ₂ "	73"	20"	58"	76 ¹ / ₂ "	38"	45"	43"	26 ¹ / ₂ "	34 ¹ / ₂ "
C-114D-143-86	7'	9'-3"	12'-10"	18'-1"	11 ¹ / ₂ "	6'-5 ¹ / ₂ "	13'-9 ¹ / ₂ "	20'-4 ¹ / ₂ "	58"	25 ¹ / ₂ "	33 ¹ / ₂ "	51 ¹ / ₂ "	73"	13"	50"	67"	29"	45"	43"	23"	34 ¹ / ₂ "
C-114D-119-86	7'	9'-3"	12'-10"	18'-1"	11 ¹ / ₂ "	6'-5 ¹ / ₂ "	13'-9 ¹ / ₂ "	20'-4 ¹ / ₂ "	58"	25 ¹ / ₂ "	33 ¹ / ₂ "	51 ¹ / ₂ "	73"	13"	50"	67"	29"	45"	43"	23"	34 ¹ / ₂ "
C-114D-143-74	7'	8'	12'-10"	17'-7 ¹ / ₂ "	11 ¹ / ₂ "	5'-2 ¹ / ₂ "	13'-9 ¹ / ₂ "	20'-4 ¹ / ₂ "	58"	25 ¹ / ₂ "	33 ¹ / ₂ "	51 ¹ / ₂ "	73"	20"	54"	67"	29"	45"	43"	23"	34 ¹ / ₂ "
C-114D-143-64	7'	7'	12'-10"	17'-2 ¹ / ₂ "	11 ¹ / ₂ "	4'-2 ¹ / ₂ "	13'-9 ¹ / ₂ "	20'-4 ¹ / ₂ "	58"	25 ¹ / ₂ "	33 ¹ / ₂ "	51 ¹ / ₂ "	73"	20"	63"	67"	29"	45"	43"	23"	34 ¹ / ₂ "
C-114D-173-64	7'																				



LS PETROCHEM EQUIPMENT CORP

LS Petrochem Equipment Corporation, headquartered in Southern California, is the international division of the Lanzhou Petroleum & Chemical Machinery Works located in Lanzhou, China, known as LS for short.

For over fifty years LS has been manufacturing beam pumping units for oil production operations throughout the world. LS pumping units carry the API monogram (certificate No. 11E-0018) for design, and API Q1 and ISO 9001 certifications for quality.

The LS manufacturing complex consists of more than ten different manufacturing plants, offering a whole spectrum of solutions to the Oil & Gas Industry.

LS Petrochem Equipment products have been sold extensively around the world under the LS® brand name, as well as under OEM manufacturer brand names. During the late 1970's LS pumping units were marketed under the "NPS" and "HEC" brands, and throughout the 1980's and 1990's under the "DARCO-LS" brand.

Since 1998, the LS pumping unit has been marketed exclusively under the *LS Pumpjack* brand name.