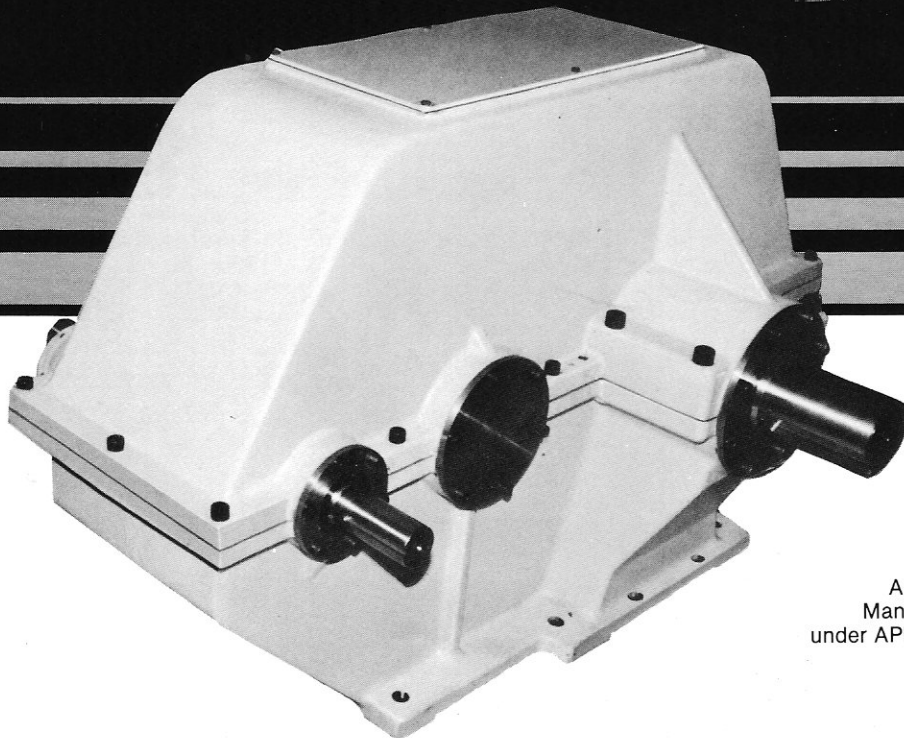
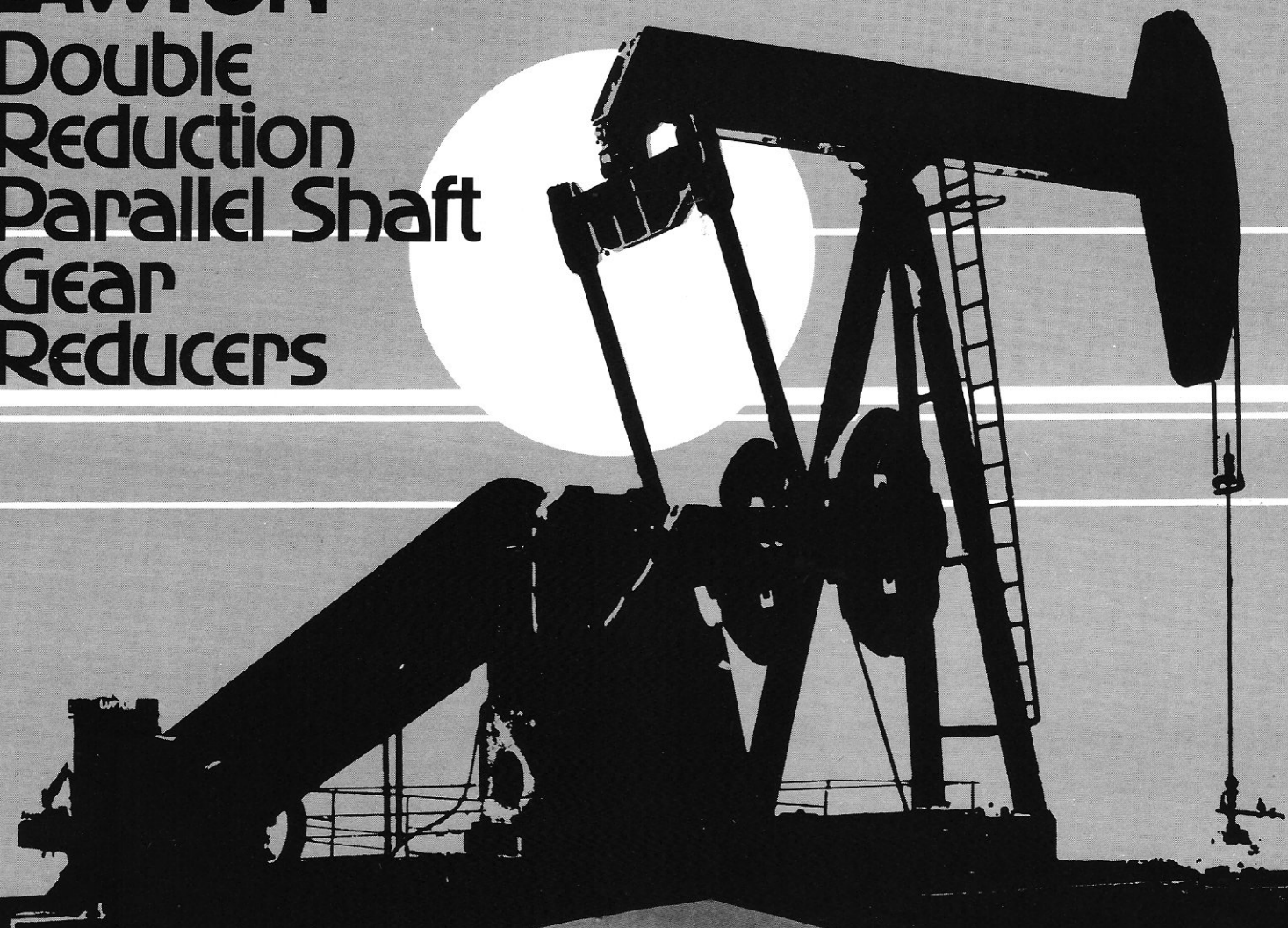


LAWTON Double Reduction Parallel Shaft Gear Reducers



Authorized
Manufacturer
under API std. 11E

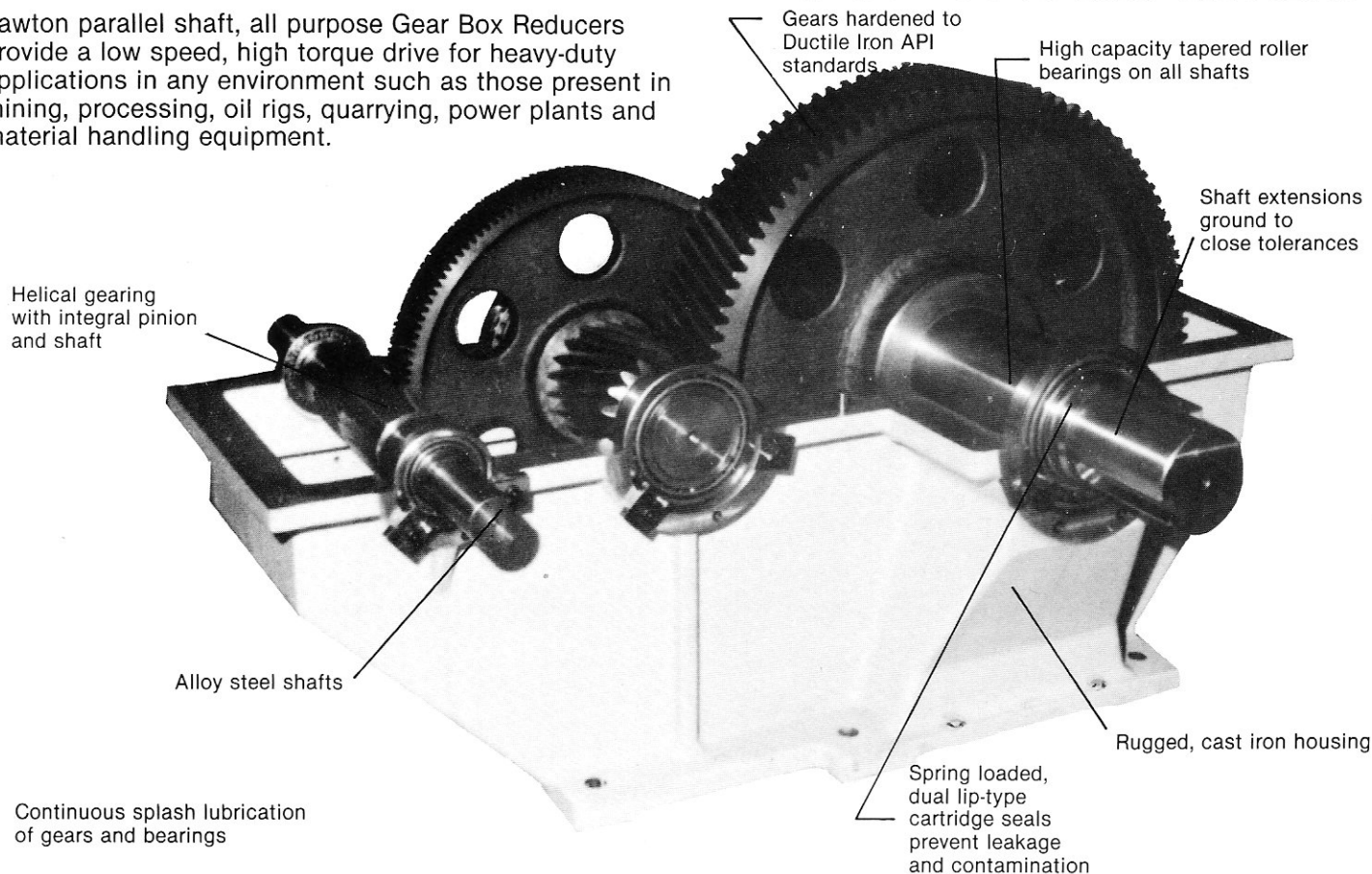


Over 100 years of gear cutting experience have led to the development of the Lawton parallel shaft gear reducer.

These double reduction units, designed to meet or exceed API standards, insure trouble free operation of your pumping unit.

Custom Gear Reducers To Fit Specific Requirements

Lawton parallel shaft, all purpose Gear Box Reducers provide a low speed, high torque drive for heavy-duty applications in any environment such as those present in mining, processing, oil rigs, quarrying, power plants and material handling equipment.



Continuous splash lubrication of gears and bearings

Rugged Housings All units are made of tough cast iron, designed for rigidity and minimal vibration.

Helical Gearing Shafts are of heat treated alloy steel with integral pinion and shaft. Teeth are hobbled after heat treating to assure smooth tooth action for quiet operation and accuracy. All gears are heat treated Ductile Iron and hardened to API standards. Alloy steel shaft extensions are ground to close tolerances. High, intermediate and slow pinion shafts are made of heat treated alloy steel.

Tapered Roller Bearings High thrust tapered roller bearings are used for all shafts. Slow speed shaft bearing capacities meet the requirements for overhung and thrust loads.

Continuous Splash Lubrication All units provide continuous splash lubrication of gears and bearings. Spring loaded, dual lip-type oil seals prevent leakage and contamination.

Factory Tested Units are factory tested to assure effective lubrication and quiet operation with final run-in and inspection before shipping.

Capacities

Size	Output Torque Lbs. In.	Ratio	Overhung Load Lbs.	Oil Capacity Gals.
No. 160	160,000	32.75:1	50,265	25
No. 228	228,000	32.07:1	50,265	30
No. 320	320,000	32.03:1	103,935	35
No. 456	456,000	32.53:1	104,000	40
No. 640	640,000	32.00:1	129,000	45

C. A. LAWTON COMPANY

233 N. Broadway Street • DePere, WI 54115 U.S.A.
Phone (414) 336-0681 TELEX 26 3492

CALL LAWTON FOR: SOLID RING NYLON GEARS
• SPUR, HELICAL & HERRINGBONE GEARS • SEGMENTED GEAR
CONVERSIONS • GEAR REDUCERS • METAL GEARS • PULLEYS AND
SHEAVES • BREAKDOWN SERVICE