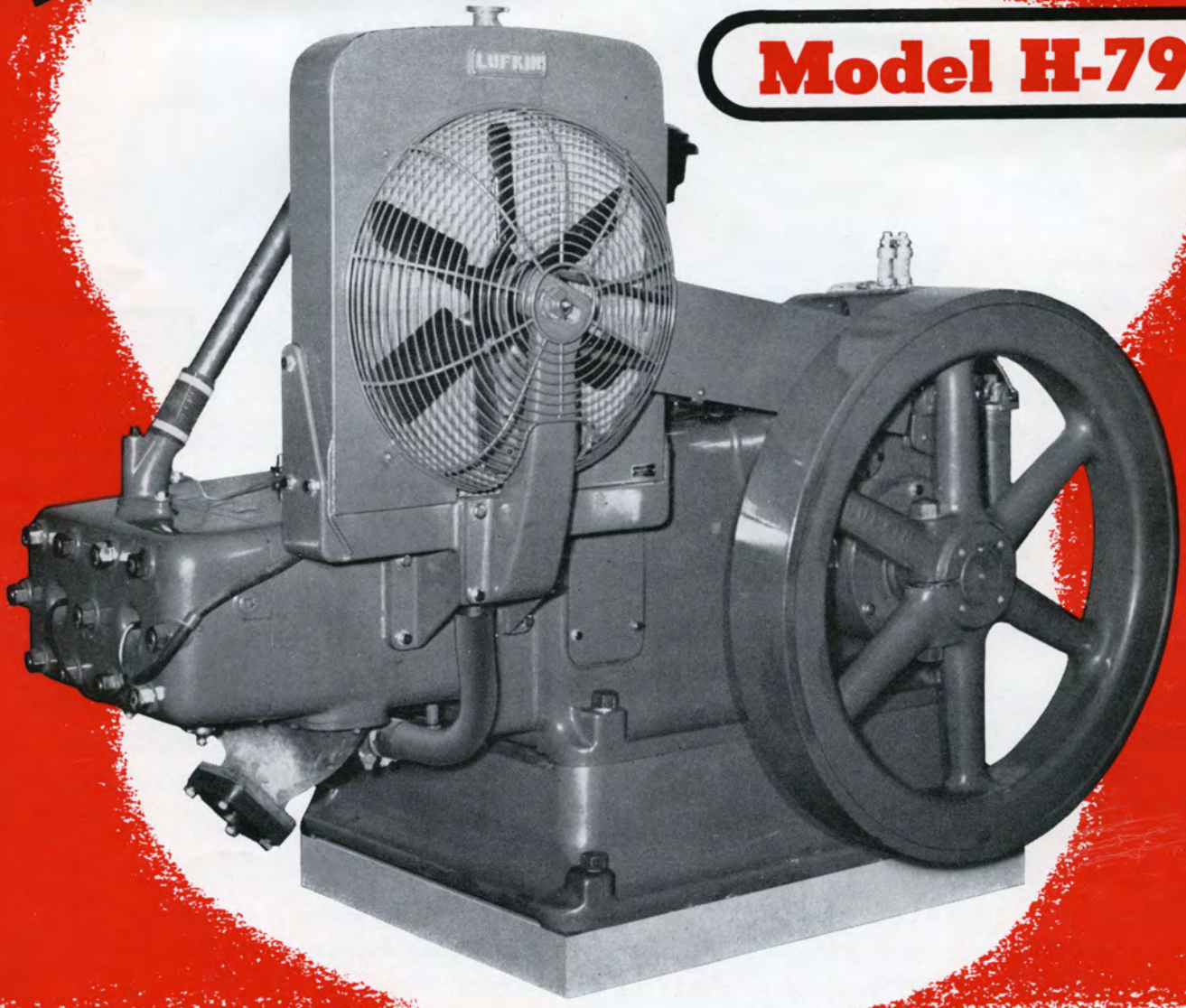


# **LUFKIN** *Oil Field Gas Engine*

**Model H-795**



**TWO CYCLE • TWO CYLINDER 45-65 HORSEPOWER**

**LUFKIN FOUNDRY & MACHINE CO.**

**LUFKIN • TEXAS**

*featuring...*

**THERMOSYPHON  
COOLING**

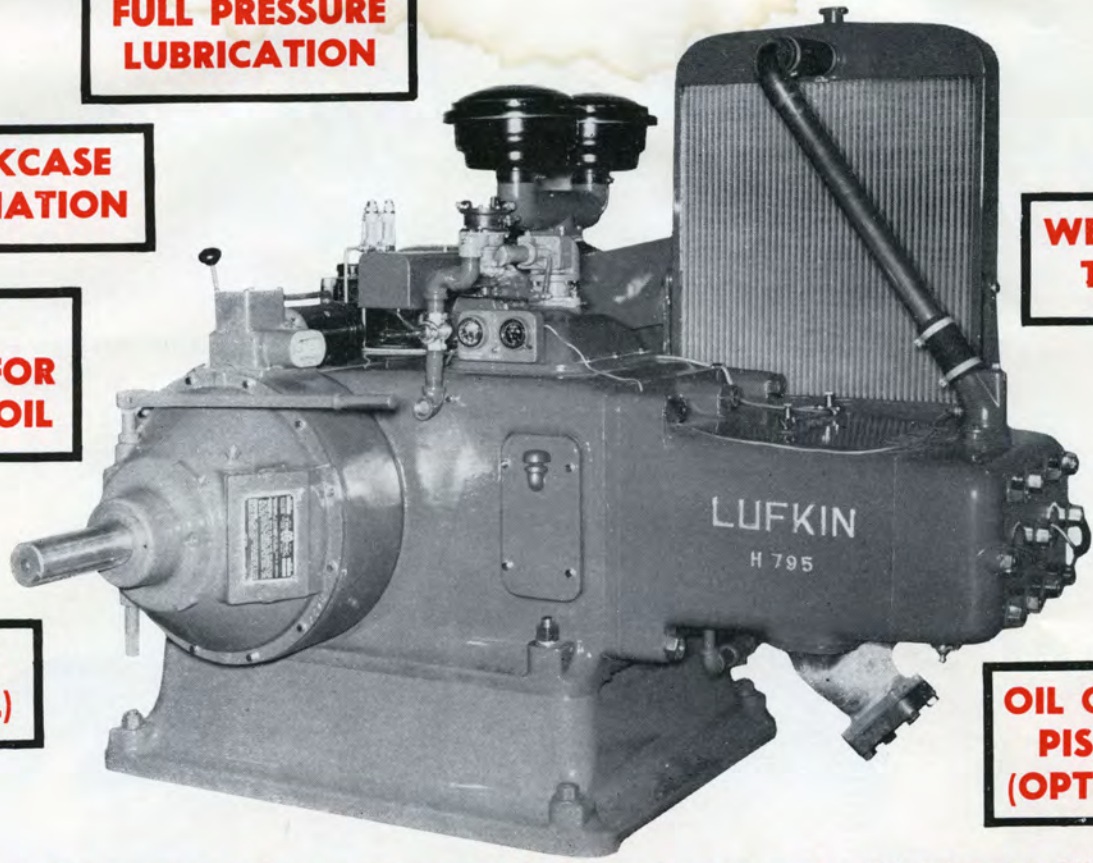
**FULL PRESSURE  
LUBRICATION**

**NO CRANKCASE  
CONTAMINATION**

**WEATHER  
TIGHT**

**SAFETY  
CONTROL FOR  
WATER & OIL**

**SUB BASE  
(OPTIONAL)**



**OIL COOLED  
PISTONS  
(OPTIONAL)**

**TWO CYLINDER, TWO CYCLE, CROSSHEAD DESIGN  
FOR SMOOTHNESS, LONG LIFE AND DEPENDABILITY**

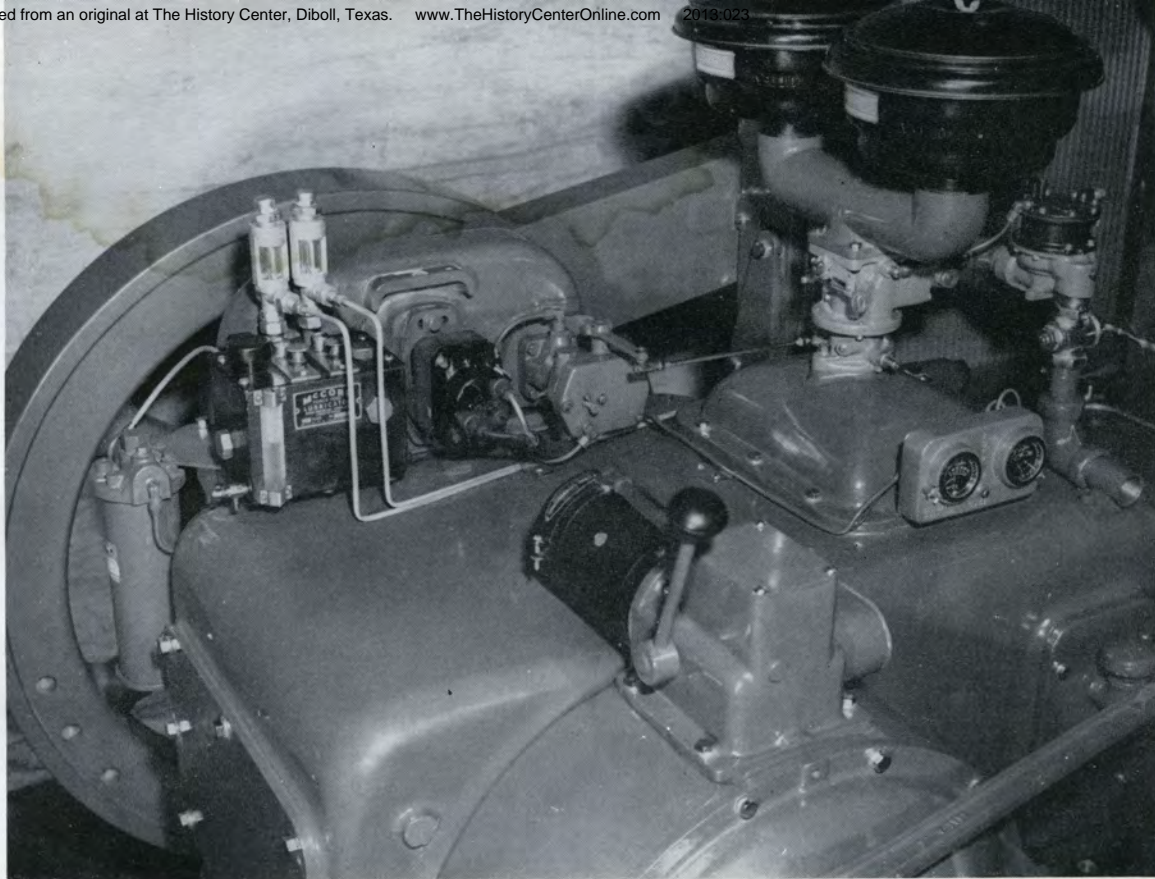
**ONLY IN THE LUFKIN ENGINE WILL YOU FIND TWO CYLINDERS FOR SMOOTHER FLOW OF POWER AND LESS SHOCK TO YOUR EQUIPMENT. DEPENDABLE LONG LIFE AND LOW UPKEEP ARE ASSURED BY SUCH FEATURES AS:**

- Rugged Two Cycle Crosshead Design
- Positive Full Pressure Lubrication
- Precision Connecting Rod Inserts
- Tapered Roller Crankshaft Bearings
- Bronze Crosshead Shoes and Pin Bushings
- Saddle Type Crosshead Pin for More Bearing Area
- Metallic Piston Rod Packing to Seal Combustion Gases from Crankcase
- Oil Filter Constantly Filters Oil in Crankcase
- Built in Safety Control for Oil and Water
- Pressure Sealed Thermosyphon Cooling
- Built in Starting of Either 12 Volt Electric, Gas Motor or Regular Air Starting with Valve and Piping (Optional)
- Oil Cooled Pistons for Longer Ring and Cylinder Life (Optional)
- Hydraulic Governor for Very Close Regulation (Optional)
- Cast Iron Sub-Base to Allow Flywheel to Clear Floor (Optional)

**LUBRICATOR  
AUTOMATICALLY  
FILLED FROM  
CRANKCASE**

**OIL FILTER**

**BUILT IN  
ELECTRIC, GAS  
MOTOR, OR AIR  
STARTING  
(OPTIONAL)**



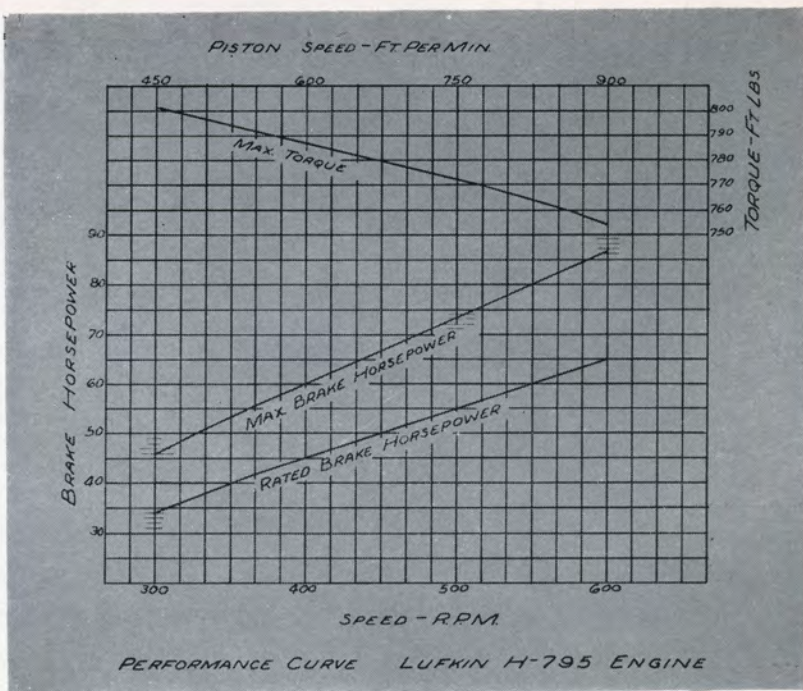
**EQUIPMENT:**

The Lufkin Model H-795 engine is furnished as a complete power unit with radiator, fan, fan and belt guards, Ensign natural gas mixer, Oil Bath Oil Filters, Twin Disc Clutch, heavy duty rotary magneto, magneto cover, McCord SF cylinder lubricator, centrifugal governor, Cuno oil filter and tool list.

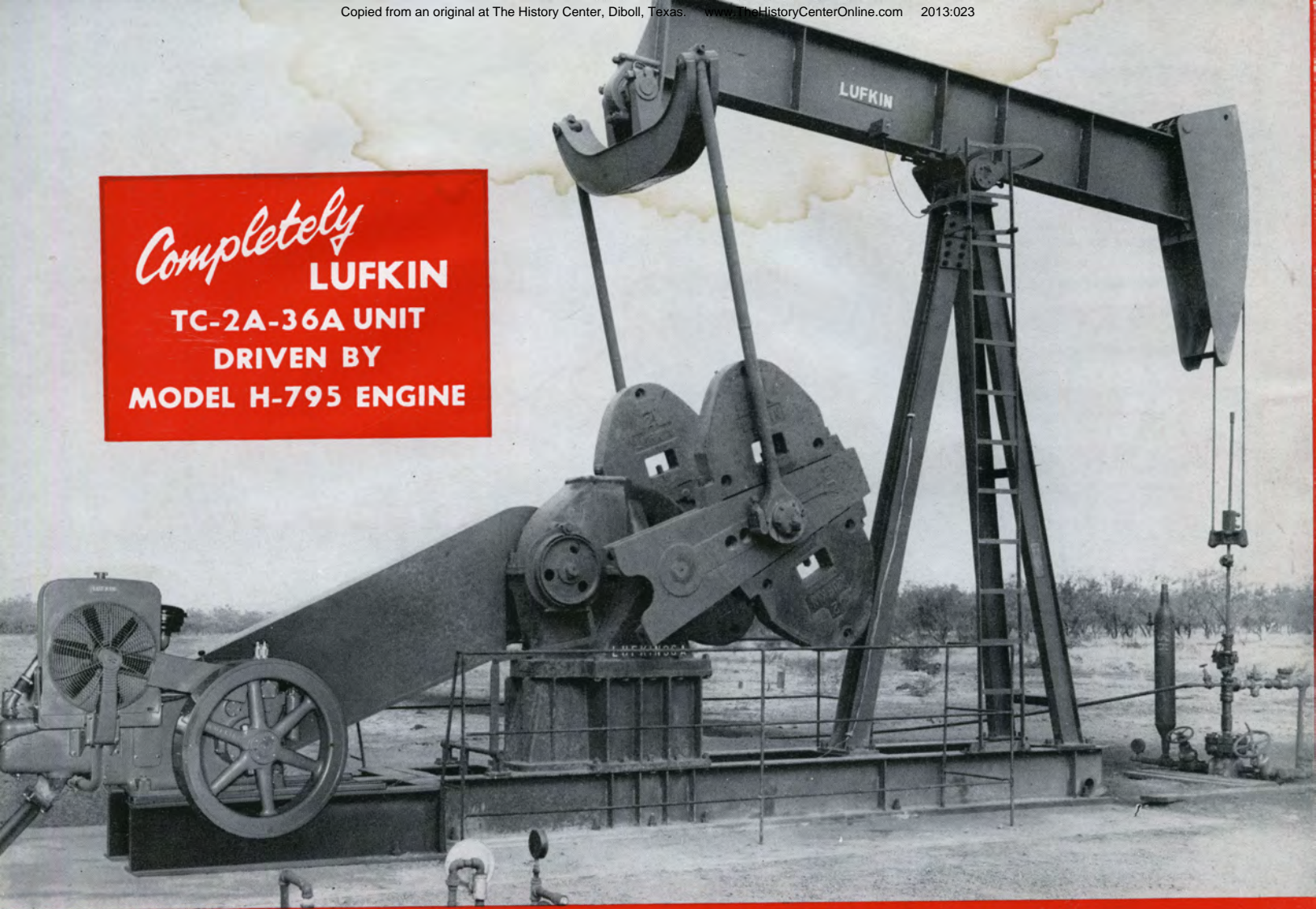
Optional equipment are: Cast Iron sub-base, oil cooled pistons, 12 volt electric starter, air-gas motor starter, regular air starter with valve and piping, hydraulic governor.

**SPECIFICATIONS**

|  |          |
|--|----------|
| Bore .....   | 7½       |
| Stroke .....   | 9        |
| Displacement (Cu. in.) .....                         | 795      |
| Recommended Speed Range (RPM) .....                  | 400-600  |
| Maximum Speed (RPM) .....                            | 600      |
| Rated BHP at 400 RPM .....                           | 45       |
| Rated BHP at 600 RPM .....                           | 65       |
| Diameter Crank Pin .....                             | 4½       |
| Length Crank Pin .....                               | 3½       |
| Diameter Crosshead Pin .....                         | 2¾       |
| Length Crosshead Pin .....                           | 5        |
| Bearing Area (sq. in.) .....                         | 13.75    |
| Diameter Piston Rod .....                            | 1¾       |
| Piston Rod Packing .....                             | Metallic |
| Diameter Flywheel .....                              | 40       |
| Flywheel WR <sup>2</sup> (ft <sup>2</sup> lbs) ..... | 1580     |
| Clutch—Twin Disc .....                               | B-114    |
| Dia. Power Take Off Shaft .....                      | 3        |
| Size Exhaust Pipe .....                              | 4        |
| Size Gas Inlet .....                                 | 1        |
| Oil Capacity (Gallons) .....                         | 5        |
| Water Capacity (Gallons) .....                       | 12       |
| Foundation Bolts                                     |          |
| No. and Size .....                                   | 4—1"     |
| Weight of Engine .....                               | 4250#    |

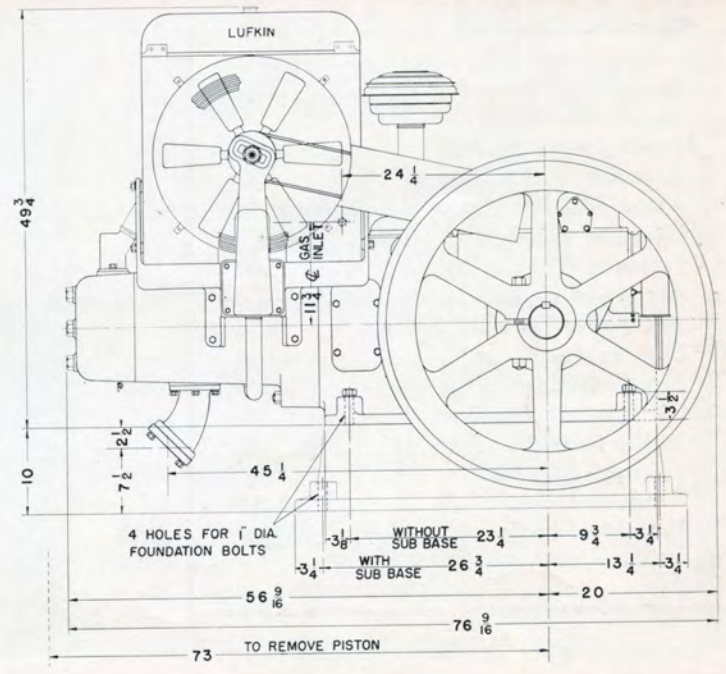
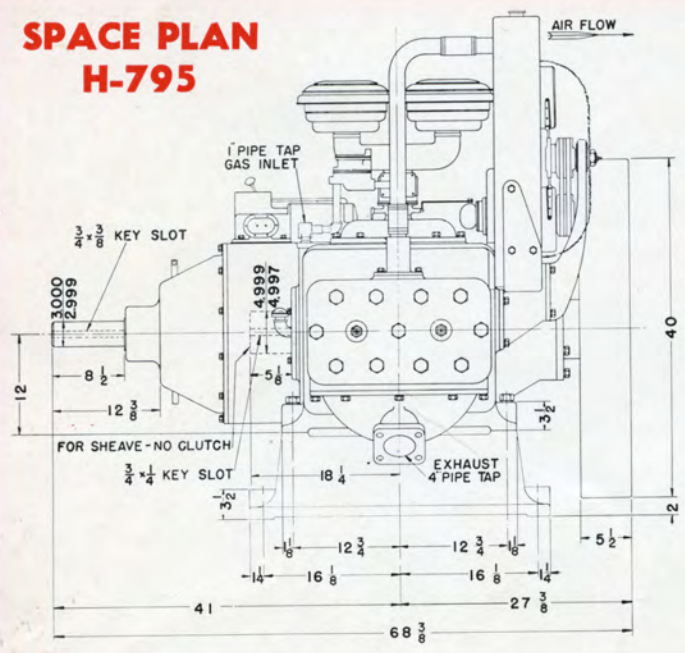


*Completely*  
**LUFKIN**  
**TC-2A-36A UNIT**  
**DRIVEN BY**  
**MODEL H-795 ENGINE**



**A SMALLER COMPANION ENGINE IS THE LUFKIN MODEL H-333 RATED 20 TO 30 HORSEPOWER**

**SPACE PLAN**  
**H-795**



This supplements Lufkin data appearing in Composite Catalog