

LUFKIN

OILFIELD PRODUCTS GROUP PUMPING UNITS



MARK II UNITORQUE



CONVENTIONAL



AIR BALANCED



LP II LOW PROFILE



REVERSE MARK



PORTABLE ROADRUNNER



SPECIAL APPLICATION

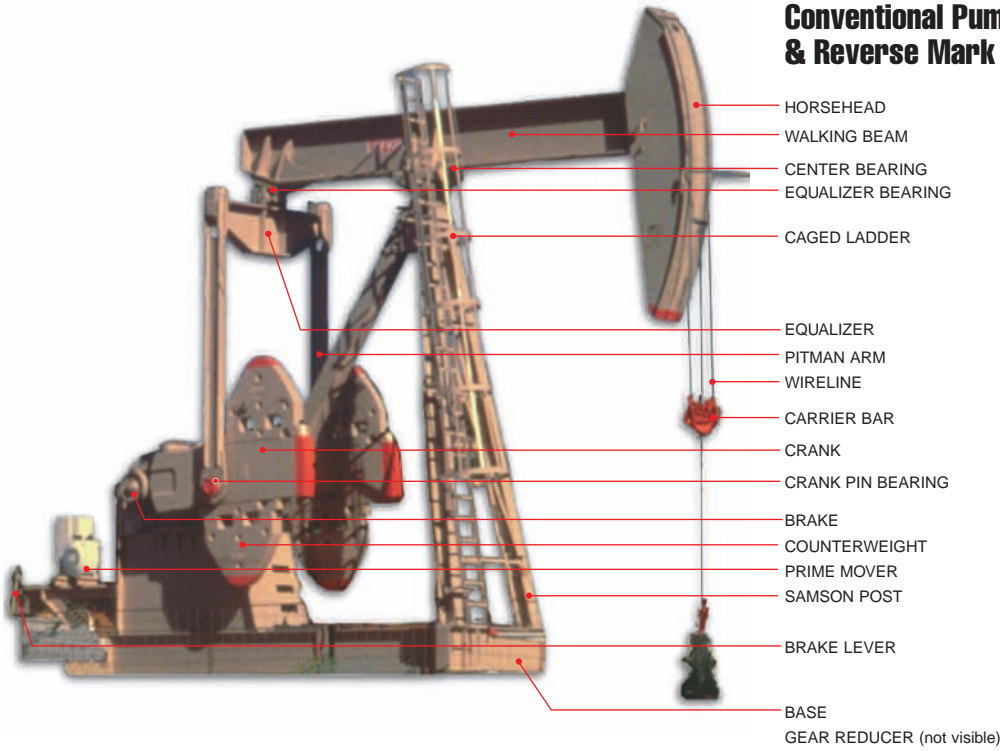


SERVICE CENTERS

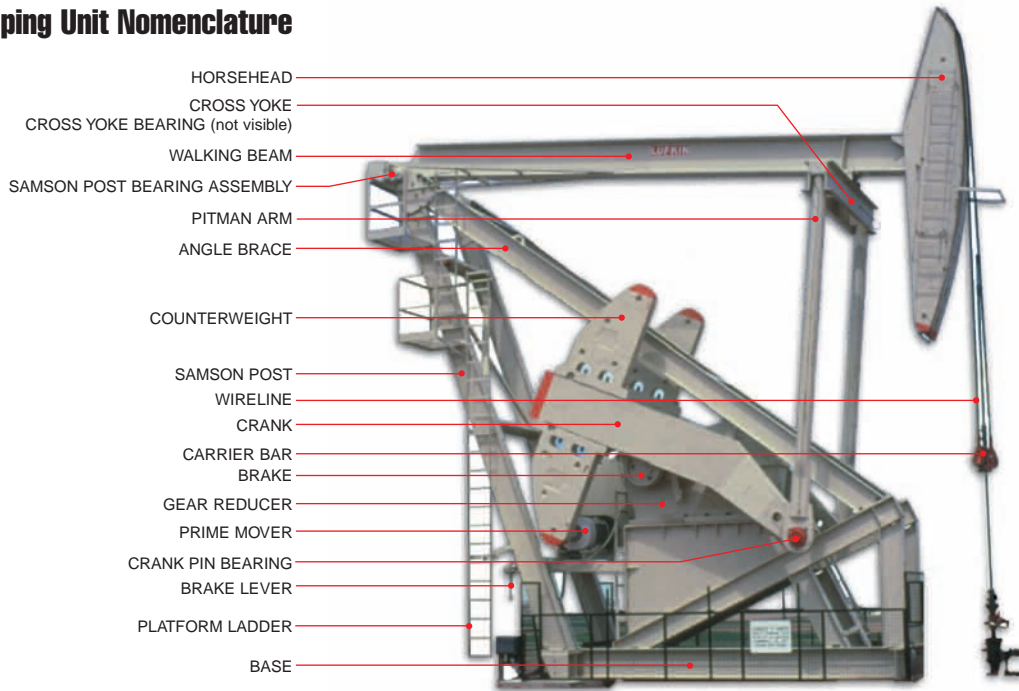


CHURCHILL® BEAM BALANCED

Conventional Pumping Unit & Reverse Mark Nomenclature



Mark II Pumping Unit Nomenclature



Pumping Unit Model Number Designations

C-228D-246-86

*Type of Pumping Unit _____

Gear Reducer Peak Torque Rating (thousands of inch lbs.) _____

Double Reduction Gear Reducer _____

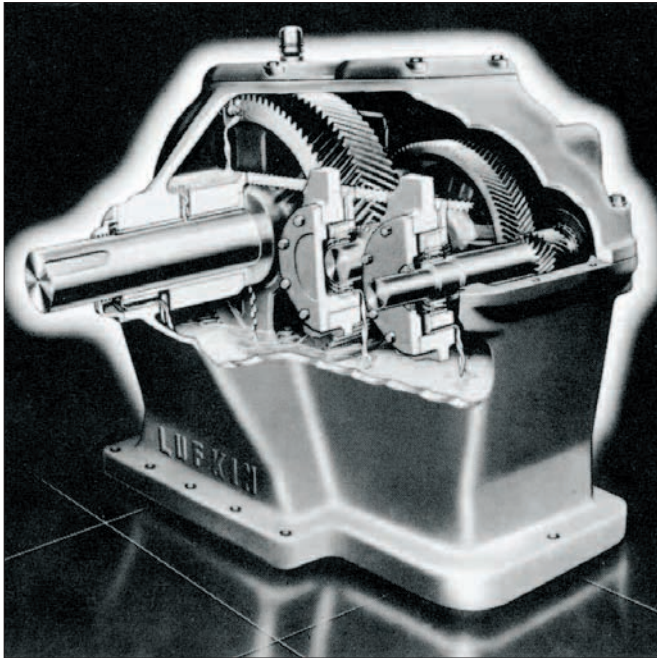
Polished Rod/Structure Load Rating (hundred lbs.) _____

Maximum Stroke Length (inches) _____

*Key for Type of Pumping Unit

A = Air Balanced	M = Mark II Unitorque
B = Beam Balanced	LP II = Low Profile II
C = Conventional	RM = Reverse Mark
CM = Conventional (roadrunner)	LC = Power Lift

WARNING: Using repair or replacement parts on any Lufkin Pumping Unit that do not meet Lufkin specifications could result in equipment damage and/or serious injury to personnel near the unit. Before performing maintenance or inspection on any pumping unit, be certain the prime mover is turned off, locked and tagged in the "off" position; and be certain the cranks are secured against rotation. Any movement of the equipment during maintenance or inspection procedures can cause serious personal injury.



Lufkin Double Reduction Gear Reducers

Lufkin designed and manufactured herringbone gears (double helical) have proven to be the standard of excellence for pumping unit gear reducers. Herringbone gears are less sensitive to misalignment and resist torque reversals better than other types of gears. Heavy-duty sleeve bushings on the crankshaft and straight roller bearings on the high speed and intermediate shafts need no adjustment at assembly

or when field service is required. The nodular iron gears with high strength alloy pinion used by most manufacturers of pumping units were pioneered by Lufkin. The rugged two-piece housing is manufactured specifically for oilfield pumping applications.

All Lufkin gear reducers have been designed to exceed API and AGMA specifications. Lufkin is authorized to display the API monogram and is licensed under specification 11E. Lufkin precision-cut, herringbone gears are encased in a strong, heavy-walled, cast-iron gear reducer housing. Operating in an oil bath ensures positive lubrication of the heat-treated, nodular gears and steel alloy pinions. An oil wiper system continuously supplies oil to the bearings. An oil gage dip stick allows easy inspection of the oil level in the gear reducer housing. Special features of these rugged oilfield reducers include:

- Horizontally split gear housing designed for easy field maintenance
- Precision-cut Lufkin herringbone gears
- All shafts made from alloy steel, heat treated and precision turned to tight tolerances
- Oversized bronze bushings on crankshafts which seldom require replacement
- Positive lubrication system (no oil pumps required)



Lufkin Gear Reducer Data

Gear Reducer Size	Peak Torque Rating (in. lbs.)	Gear Ratio	Crankshaft Diameter Conventional / Mark II (inches)	Sheave Bore Dia. (inches)	Sheave Options		Gear Reducer Oil Capacity (gallons)
					Belt Section / Pitch Dia.** (inches)	Belt Section / Pitch Dia.** (inches)	
2560D	2,560,000	34.53:1	11.75	6.50	12D / 55, 68	-	235
1824D	1,824,000	28.33:1	9 / 10.5	4.94	10D / 55, 68	-	165
1280D	1,280,000	28.05:1	8.5 / 10.5	4.94	8D / 35, 68	10C / 36, 68	120
912D	912,000	28.72:1	7 / 9*	4.19	6D / 33, 40, 48, 55.2	8C / 50, 55.2	107
640D	640,000	28.60:1	7 / 9	3.44	5D / 22, 27, 33, 48, 55.4	6C / 24, 36, 44, 50, 55.6	70
456D	456,000	29.04:1	7 / 9	3.44	4D / 22, 27, 33, 48	6C / 24, 36, 44, 50	55
320D	320,000	30.12:1	6.44 / 8.5	2.94	-	5C / 24, 30, 36, 44, 47	50
228D	228,000	28.45:1	6 / 7	2.44	-	4C / 24, 30, 36, 41	34
160D	160,000	28.67:1	5.44 / 7	2.19	-	3C / 20, 24, 30, 36, 38	22
114D	114,000	29.40:1	4.44 / 6.44	1.94	-	2C / 20, 24, 30, 33.6	17
80D	80,000	29.40:1	4.44	1.94	-	2C / 20, 24, 30, 33.6	17
57D	57,000	29.32:1	4	1.94	3B / 20, 25, 27.6	2C / 20, 24, 27	13

* 10.5 for 912DS Mark II

** **Bold Face** type indicates standard size sheave. All other sizes are available for a nominal fee.



The World's Most Popular Rod Pump

The Lufkin Conventional Crank Balanced Pumping Unit, widely known and accepted, is the old reliable “work horse” of the oil patch. This is the most universally adaptable unit in the Lufkin line. These units are simple to operate and require minimum maintenance. They are available in sizes up to the C-1824D-305-240; a unit with a 240-inch stroke, a polished rod capacity of 30,500 pounds and a 1,824,000 inch-pound double reduction gear box.

Conventional Crank units are manufactured in either two-point foundation or standard-base foundation designs. Two-point units are suitable for front and rear, precast, concrete-block foundations or fabricated foundation pads under the front and rear of the unit. Precast concrete blocks reduce concrete requirements by approximately 80%. This simple suspension/foundation design significantly reduces installation time. Standard-base units must have a one-piece block foundation supporting the entire steel base.

Standard Unit Sizes

C-1824D-305-240	C-640D-305-144	C-320D-256-100	C-160D-173-64
C-1824D-365-216	C-640D-256-144	C-320D-246-86	C-160D-143-64
C-1824D-365-192	C-640D-365-120	C-320D-213-86	C-114D-119-86
C-1280D-305-240	C-640D-305-120	C-320D-246-74	C-114D-143-74
C-1280D-427-192	C-456D-305-168	C-228D-213-120	C-114D-173-64
C-1280D-365-192	C-456D-305-144	C-228D-213-100	C-114D-143-64
C-912D-305-240	C-456D-265-144	C-228D-173-100	C-114D-173-54
C-912D-365-192	C-456D-365-120	C-228D-246-86	C-114D-133-54
C-912D-305-192	C-456D-305-120	C-228D-213-86	C-80D-119-64
C-912D-365-168	C-456D-256-120	C-228D-200-74	C-80D-135-54
C-912D-305-168	C-456D-213-120	C-228D-173-74	C-80D-119-54
C-912D-427-144	C-456D-256-100	C-160D-173-100	C-80D-133-48
C-912D-365-144	C-320D-256-144	C-160D-173-86	C-80D-109-48
C-640D-365-168	C-320D-256-120	C-160D-200-74	
C-640D-305-168	C-320D-213-120	C-160D-173-74	
C-640D-365-144	C-320D-305-100	C-160D-143-100	

Mark II Geometry Reduces Rod Load and Peak Torque

Lufkin Mark II Unitorque Pumping Units are available in fifty different sizes up to the M-1824D-427-216; a unit with a 216-inch stroke, a polished rod capacity of 42,700 pounds and a 1,824,000 inch-pound double reduction gear box.

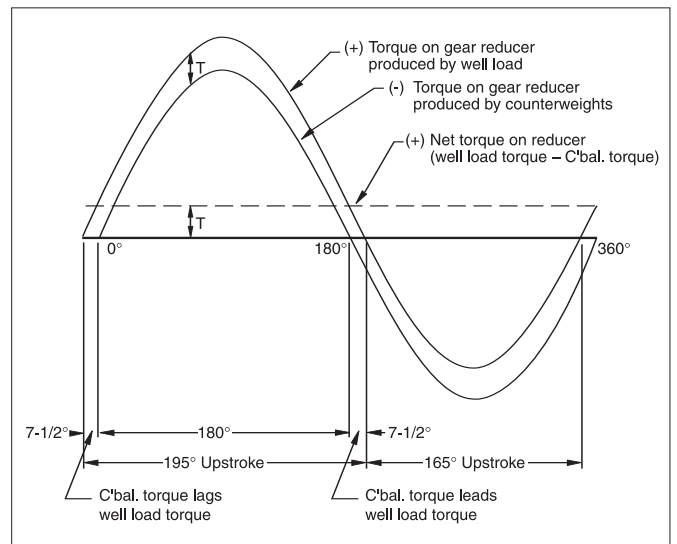
The Mark II's unique UNITORQUE geometry is characterized by three (3) basic configurations which reduce the rod load and peak torque over that of a conventional pumping unit. The design characteristics which make the Mark II unique are:

- Shifting the gearbox from directly under the equalizer towards the Samson post turning in a preferred direction of rotation, creates an upstroke that occurs in approximately 195° of crank rotation and a downstroke of approximately 165° of crank rotation.
- Placing the equalizer between the horsehead and the Samson post creates a “push-up” or “Class 3” lever system.

The 195° upstroke, coupled with the front mounted geometry, reduces the acceleration at the beginning of the upstroke where the load is greatest, thereby effecting a reduction in polished rod load. Locating the cross-yoke forward of the gear reducer creates a greater mechanical advantage for lifting the heavy load on the upstroke, and a lesser mechanical advantage for the reduced downstroke load (i.e., the maximum upstroke torque factor is reduced while the maximum downstroke torque factor is increased).

- An angular offset in the crank that produces a more effective counterbalance torque which at the beginning of the upstroke “lags” the well load torque approximately 7½°. Similarly, at the beginning of the downstroke, this same offset condition produces a counter balance torque which “leads” the well load torque approximately 7½°.

Independently these features would not produce a relatively uniform torque, but working together a “unitorque” system is obtained which can reduce the torque on the gearbox up to 35% as well as lowering power costs and often, prime mover size.

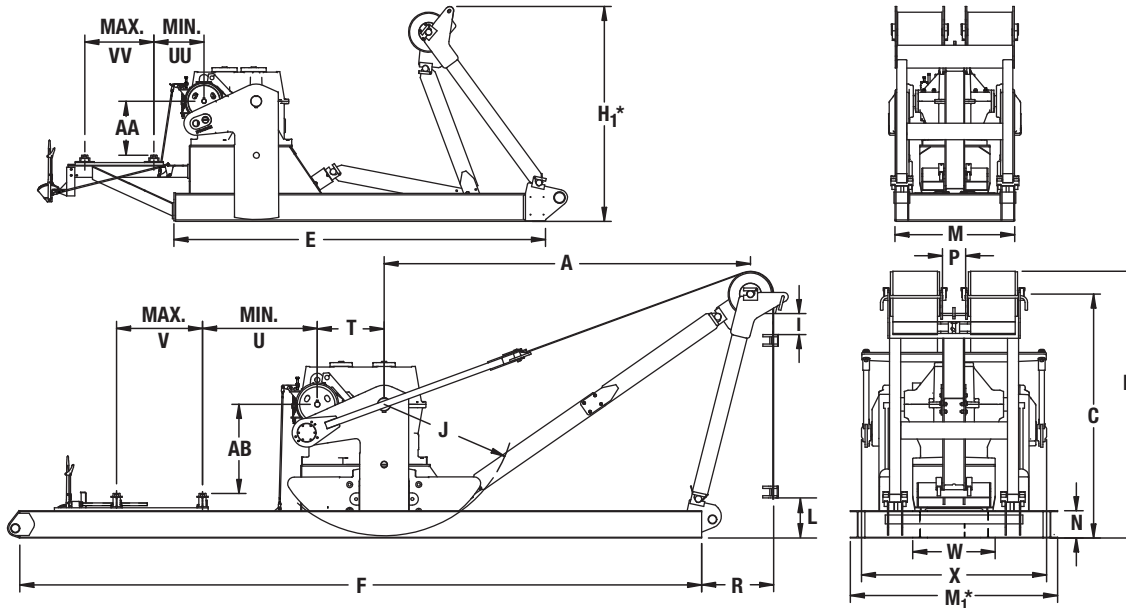


Uniform torque can be obtained under ideal conditions.

NOTE: The Mark II Unit must be operated in a counter-clockwise direction (standing at the side of the unit with the wellhead to the right).

Standard Unit Sizes

M-1824D-427-216	M-640D-365-168	M-456D-256-120	M-228D-200-74
M-1280D-427-216	M-640D-305-168	M-320D-256-144	M-228D-173-74
M-1280D-427-192	M-640D-365-144	M-320D-305-120	M-160D-213-86
M-912DS-365-216	M-640D-305-144	M-320D-256-120	M-160D-173-86
M-912DS-427-192	M-640D-256-144	M-320D-213-120	M-160D-200-74
M-912DS-427-168	M-640D-305-120	M-320D-305-100	M-160D-173-74
M-912D-305-216	M-456D-305-192	M-320D-256-100	M-114D-143-86
M-912D-305-192	M-456D-305-168	M-228D-256-120	M-114D-173-74
M-912D-365-168	M-456D-365-144	M-228D-213-120	M-114D-143-74
M-912D-305-168	M-456D-305-144	M-228D-256-100	M-114D-173-64
M-912D-365-144	M-456D-256-144	M-228D-173-100	M-114D-143-64
M-912D-305-144	M-456D-365-120	M-228D-246-86	
M-640D-305-192	M-456D-305-120	M-228D-213-86	



Low Profile Pumping Units

A compact unit designed for installation in fields irrigated by traveling sprinkler systems or in urban areas where the low profile feature may be desirable. These units can be shipped from the factory completely assembled.

Dimensional Data (inches)

Unit Size	A	C	E	F	H	H1*	I	J	L	M	M1*	N	P	T	U	V	W	X	AA	AB	UU	VV	
LP11-114D-173-54	118.00	86.00	133.00	-	96.00	-	3.72	46.50	16.80	59.75	-	14.00	10.38	25.00	24.00	-	28.00	67.00	14.00	-	25.00	34.50	
LP11-160D-173-64	164.39	109.46	189.25	-	119.90	107.20	11.50	59.00	19.90	59.75	-	14.00	10.38	30.38	26.00	-	35.00	75.06	27.00	-	25.00	34.50	
LP11-228D-173-74	164.39	109.46	189.25	306.00	119.90	107.20	3.52	59.00	18.00	59.75	93.00	14.00	10.38	30.38	30.00	51.50	50.81	40.00	83.06	27.00	39.90	28.25	31.20
LP11-320D-246-86	168.68	134.33	209.66	-	144.80	112.80	8.90	71.50	30.70	59.75	-	16.38	10.38	21.14	34.00	-	46.00	85.75	39.60	-	31.38	29.30	

Low Profile II units are available in either two-point foundation or wide-skid foundation designs. Dimension "M" is for two-point units and dimension "M1" is for wide-skid units. Dimension "H1*" is the overall height of the unit when the rear leg is folded back.

NOTE: Do not use above dimensions for foundation. Request foundation plan.

Power Lift Folding Beam Pumping Unit

The low clearance Power Lift Unit is an API size 640D-305-144 pumping unit that can hydraulically fold to a height of 15 ft. Lowering the unit approximately 3 ft. below the ground surface will allow a 12 ft. center pivot irrigation system to travel over the unit.



The Power Lift Unit design is conventional except for the addition of a "knee joint" in the rear Samson post leg which allows the post to fold, thus, lowering the beam and horsehead.



It can be shipped partially assembled to minimize equipment and personnel during installation.

Dimensional Data (inches)

Standard Unit Size	Height	Folded Height	Base Length (w/Hi-Prime)	Set Back	Overall Length	Min. Carrier Bar Ground Clearance
LC-640D-305-144	351	179	353	47.63	401	42

450 Gears Road, Suite 550
 Houston, Texas 77067
 Phone: 281/875-6500
 Fax: 281/875-4236
 www.lufkin.com

REVERSE MARK AND PORTABLE ROADRUNNER PUMPING UNITS



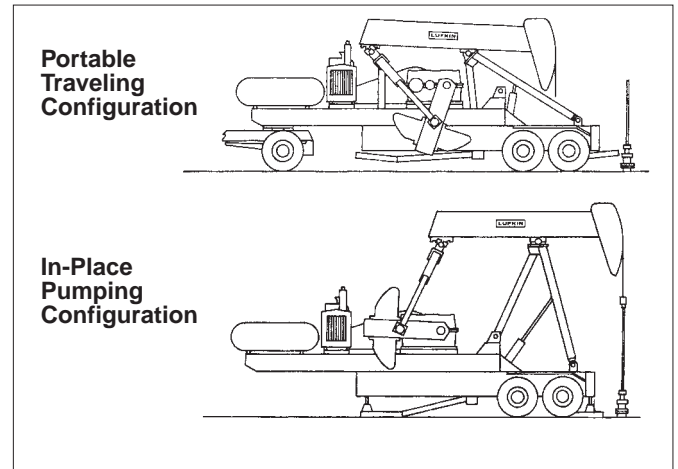
Reverse Mark Pumping Units

The Lufkin Reverse Mark or 'RM' Series Pumping Unit offers the customer an improved alternative to the conventional type geometry. Although similar in appearance to the Lufkin Conventional Pumping Unit, the RM unit geometry can reduce the torque and power requirements on many pumping applications. In some instances a smaller reducer and prime mover can be used.



Portable Roadrunner Pumping Units

The Lufkin "Roadrunner" is a trailer-mounted, self-contained conventional pumping unit that lowers for legal highway transport. It can be erected and fully functional in a few minutes at the well site. These units are available for sale, rental or lease. Typical applications include: removing frac fluids, stripper well pumping, gas well dewatering, temporary production pumping, well testing, and an alternative to swabbing units.



Standard Unit Sizes

RM-1824D-427-192	RM-912D-365-168	RM-640D-305-120	RM-320D-213-120
RM-1824D-365-192	RM-912D-305-168	RM-640D-256-120	RM-320D-305-100
RM-1824D-427-168	RM-912D-427-144	RM-456D-305-168	RM-320D-256-100
RM-1824D-365-168	RM-912D-365-144	RM-456D-365-144	RM-320D-246-86
RM-1280D-427-192	RM-912D-305-144	RM-456D-305-144	RM-228D-213-120
RM-1280D-365-192	RM-640D-305-192	RM-456D-256-144	RM-228D-256-100
RM-1280D-427-168	RM-640D-365-168	RM-456D-365-120	RM-228D-213-100
RM-1280D-365-168	RM-640D-305-168	RM-456D-305-120	RM-228D-173-100
RM-912D-427-192	RM-640D-427-144	RM-456D-256-120	RM-228D-246-86
RM-912D-365-192	RM-640D-365-144	RM-320D-256-144	RM-228D-213-86
RM-912D-305-192	RM-640D-305-144	RM-320D-305-120	RM-228D-200-74
RM-912D-427-168	RM-640D-256-144	RM-320D-256-120	RM-228D-173-74



Standard Unit Sizes

CM-456D-305-120
CM-320D-305-100
CM-228D-246-86
CM-160D-173-74

Air Balanced Pumping Units provide:

- Perfect counterbalance with finger-tip control.
- Lower installation cost.
- Compact and portable; ideal for well testing.
- Small size and lighter weight make unit ideal for export.
- Stroke lengths to 20 feet for high volume production from great depths.

These are some of the outstanding advantages of Lufkin Air Balanced Pumping Units. These units employ compressed air to counterbalance the well load rather than beam weights or crank weights. The air system has been so simplified that the only continuously operating parts are the balance cylinder and piston. The reservoir capacity of the cylinder is enlarged by a steel receiver which moves with the cylinder as a unit.

On engine-driven units, when the system is in need of air, an automatic regulator engages an air operated clutch (driven by one belt from the unit sheave) and replaces any lost air. The operator sets the regulator, initially, at a pressure sufficient to counterbalance the well load. Then, this pressure is maintained automatically. Should the load change appreciably, a slight adjustment of the regulator will restore perfect counterbalance.

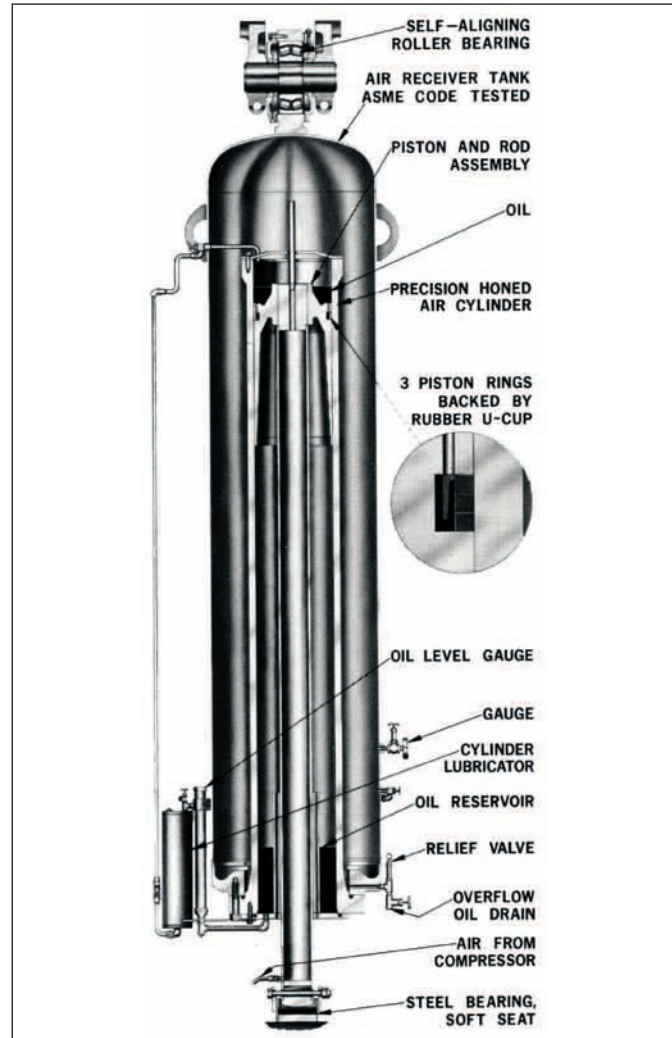
A safety shut-off switch is available, which will ground out the engine, or shut off the motor, if pressure should exceed a preset figure or fall below a minimum preset figure.

For units pumping with electricity, a separate motor-driven compressor assembly is standard equipment.

Lufkin Air Balanced Units are approximately 35% shorter and 40% lighter than crank-type units, which makes them ideal for use as portable or test units, and for installation on piling or superstructures. Since changing counterbalance effect is a matter of adjusting a valve, air balanced units are ideal for use in testing wells.

All of the ruggedness and simplicity of conventional Lufkin Pumping Units are incorporated in the design of Lufkin's Air Balanced Pumping Units.

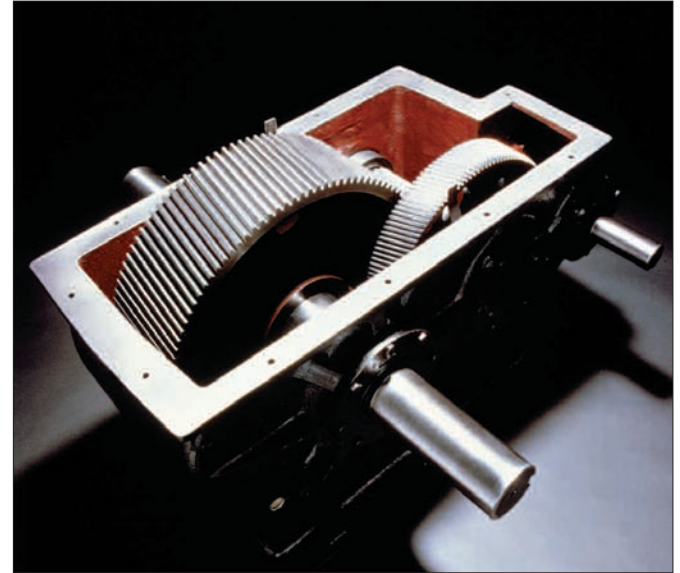
Standard Unit Sizes			
A-2560D-470-240	A-1280D-305-168	A-640D-427-144	A-320D-305-100
A-1824D-470-240	A-912D-470-240	A-640D-305-144	A-228D-173-100
A-1824D-427-216	A-912D-427-216	A-640D-365-120	A-228D-246-86
A-1824D-427-192	A-912D-427-192	A-456D-305-144	A-160D-200-74
A-1280D-470-240	A-912D-305-168	A-456D-365-120	A-114D-173-64
A-1280D-427-216	A-912D-427-144	A-456D-256-120	
A-1280D-427-192	A-640D-305-168	A-320D-256-120	



450 Gears Road, Suite 550
Houston, Texas 77067
Phone: 281/875-6500
Fax: 281/875-4236
www.lufkin.com

CHURCHILL® BEAM BALANCED PUMPING UNITS

LUFKIN
OILFIELD PRODUCTS GROUP



The Industry's Preferred Shallow-Well Unit

Churchill Beam Balanced Pumping Units, available exclusively from Lufkin Industries, have been field proven since 1954. They offer the same rugged dependability as our conventional units. On shallow wells around the world, they have long been the producer's unit of choice.

Churchill's precision-cut helical gears are encased in a strong, heavy-walled, cast-iron gear reducer housing. For smaller, beam balanced pumping units, these gear reducers are the most economical and reliable available.

Lufkin's Churchill brand gear reducers are also designed to exceed API and AGMA specifications. All tapered roller bearing cups are mounted in bearing carriers. This unique configuration minimizes field

replacement time and prevents damage to the housing should a bearing fail. Special features include:

- Unique StepDown™ housing design, which minimizes shaft deflection and improves proper gear meshing
- Positive lubrication by integral wiper system
- Built-in oil level sight gauge
- Precision-cut Lufkin helical gears
- All shafts made from high grade steel, heat treated and precision turned to tight tolerances

Standard Unit Sizes

B-114-119-100	B-80-76-54	B-50-89-54	B-40-89-36
B-114-119-86	B-80-109-48	B-50-89-48	B-25-67-36
B-114-133-74	B-80-109-42	B-50-89-42	B-25-56-36
B-114-143-64	B-57-76-54	B-40-76-48	B-25-67-30
B-80-119-64	B-57-109-48	B-40-89-42	B-25-53-30
B-80-76-64	B-57-109-42	B-40-76-42	

Churchill Gear Reducer Data

Gear Reducer Size	Peak Torque Rating (in. lbs.)	Gear Ratio	Sheave Pitch Dia. (inches)	Sheave Belt Section	Gear Reducer Oil Capacity (gallons)	Gear Design	Crankshaft Bearings	Intermediate & High Speed Bearings
B-114	114,000	30:48:1	20, 24, 30	3-C	9	Double Helical	Tapered Roller	Cylindrical Roller
B-80	80,000	30.06:1	24	4-B, 3-C	13	Helical	Tapered Roller	Tapered Roller
B-57	57,000	31.57:1	24	4-B, 3-C	13	Helical	Tapered Roller	Tapered Roller
B-50	50,000	31.11:1	18.4	3-B	4	Helical	Tapered Roller	Tapered Roller
B-40	40,000	31.11:1	18.4	3-B	4	Helical	Tapered Roller	Tapered Roller
B-25	25,000	31.14:1	18.4	2-B	2	Helical	Tapered Roller	Tapered Roller

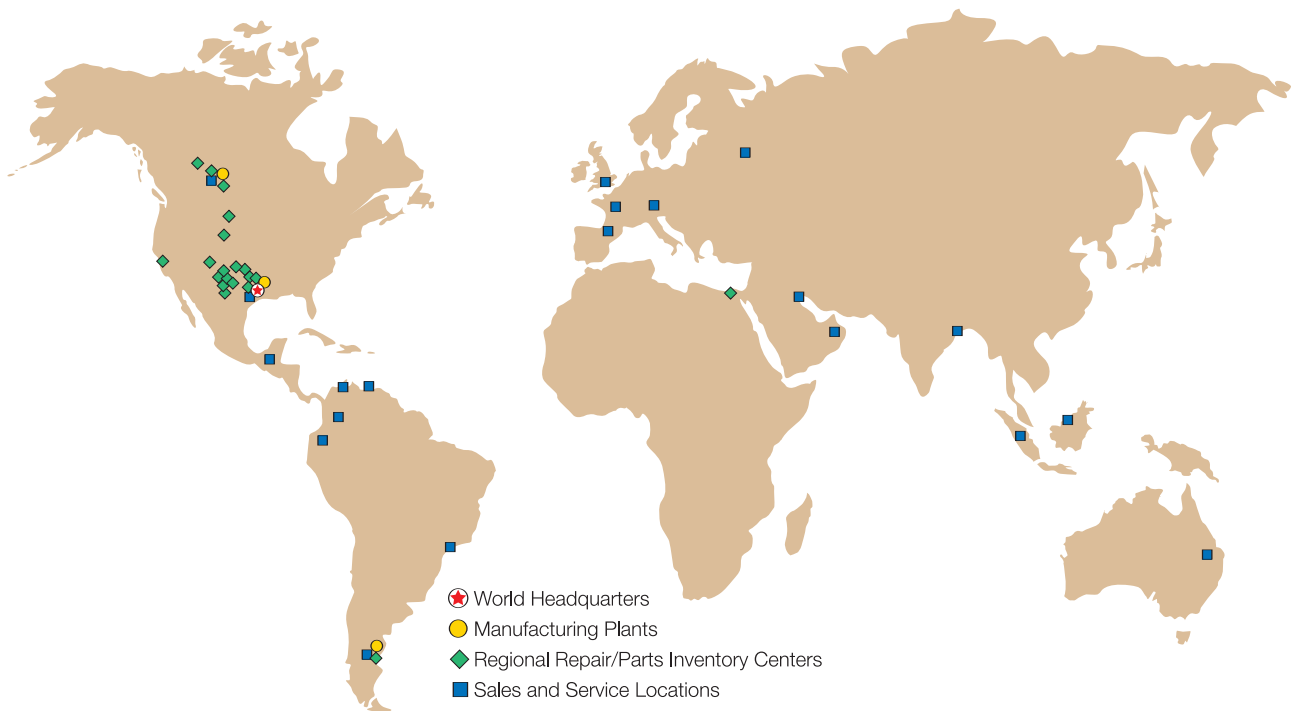
Lufkin maintains sales and service centers in key producing regions around the world. These centers are fully equipped and professionally staffed to operate 365 days a year. Our Oilfield Services Group refurbishes and sells used pumping units and provides installation, repair and field maintenance services from the following locations:

- Bakersfield, California
- Denver, Colorado
- Glendive, Montana
- Farmington, New Mexico
- Lovington, New Mexico
- Oklahoma City, Oklahoma
- Andrews, Texas
- Breckenridge, Texas
- Denver City, Texas
- Giddings, Texas
- Kilgore, Texas
- Levelland, Texas
- Odessa, Texas
- Snyder, Texas
- Talco, Texas
- Casper, Wyoming
- Gillette, Wyoming
- Drayton Valley, Alberta
- Medicine Hat, Alberta
- Nisku, Alberta

- Comodoro Rivadavia, Argentina
- Neuquen, Argentina
- Bulimba, Australia
- Cairo, Egypt
- Muscat, Oman

Experienced manufacturing and field service personnel provide a wide-variety of pumping unit services for oil producers around the world including:

- OEM replacement parts for Lufkin, Churchill and American pumping units
- Replacement parts for all brands of pumping units
- Repair or rebuilding damaged pumping units
- Transportation of pumping units to and from field locations
- Inspection and preventive maintenance services
- Manufacturing/supply of portable concrete bases.



P.O. Box 1594 (West State Rd. 114)
Levelland, Texas 79336
Phone: 806/894-2889
Fax: 806/894-2364
www.lufkin.com

WORLDWIDE PARTS AND SERVICE

LUFKIN
OILFIELD PRODUCTS GROUP

Exclusive OEM Parts for Lufkin, American and Churchill Units

Lufkin Industries is the only source for Lufkin, American and Churchill brand pumping unit OEM parts. Our service centers maintain a complete stock of critical

LUFKIN



AMERICAN

CHURCHILL®



parts. Each center is networked to a centralized manufacturing and inventory control system for quick parts identification, availability and delivery to minimize downtime and production losses. All parts are manufactured to OEM design requirements under the API-Q-1 quality program for which few, if any, local machine shops can qualify.

There are tens of thousands of older Lufkin, American and Churchill units still pumping in fields all over the world. We help keep them running. From bearings, to gears, to structural components, we provide OEM quality backed by expert repair and maintenance services. Additionally, we can machine or fabricate replacement parts for any other brand of rod pump.



Repair Facilities

Lufkin's Oilfield Service Group works on all brands of units. Operating from well-equipped service vehicles, experienced personnel make many repairs on location. For more complicated repairs and equipment testing, our state-of-the-art service facilities are fully equipped to provide necessary machining and fabrication operations.

The development of these regional manufacturing, testing and repair centers has allowed us to provide complete localized service in real time. Customers don't have to wait for our main factory to open to solve a repair or maintenance problem.

OILFIELD GROUP OFFICES

P.O. Box 849
Lufkin, TX 75902-0849
Phone: 281/875-6500
Fax: 281/875-4236
e-mail: oilfield@lufkin.com
www.lufkin.com

DOMESTIC SALES & SERVICE

Andrews, TX 79714
P. O. Box 12
2340 North US Hwy 385
Phone: 432/523-3836
Fax: 432/523-3972

Bakersfield, CA 93309*
(Sales Office)
1400 Easton Dr., Suite 102
Phone: 661/325-3099
Fax: 661/325-3105

Bakersfield, CA 93308
2500 Parker Lane
Phone: 661/327-3563
Fax: 661/327-0690

Breckenridge, TX 76424
P.O. Box 1578
1806 US Hwy 180 E.
Phone: 254/559-2252
Fax: 254/559-5598

Casper, WY 82601
610 N. Warehouse Road
Phone: 307/234-5346
Fax: 307/472-0723

Denver, CO 80202
1600 Broadway, Suite 2400
Phone: 303/542-1951
Fax: 303/892-9299

Denver City, TX 79323
P.O. Box 1350, N. Hwy 214
Phone: 806/592-3531
Fax: 806/592-3425

Farmington, NM 87401
P.O. Box 183, 4000 Monroe
Phone: 505/566-9285
Fax: 505/566-9286

Giddings, TX 78942
P.O. Box 238
1119 CR 234
Phone: 979/542-0970
Fax: 979/542-0979

Glendive, MT 59330
P.O. Box 1345, 184 Hwy 200 S.
Phone: 406/377-7880
Fax: 406/377-7980

Houston, TX 77067
450 Gears Road, Suite 550
Phone: 281/875-6500
Fax: 281/875-4236

Kilgore, TX 75662*
P. O. Box 3095
7155 Hwy 42 N.
Phone: 903/984-3875
Fax: 903/984-2449

Levelland, TX 79336
P. O. Box 1594
2512 West Hwy 114
Phone: 806/894-2889
Fax: 806/894-2364

Lovington, NM 88260
P. O. Box 40, Artesia Hwy
Phone: 505/396-2620
Fax: 505/396-5298

Midland, TX 79703
2064 Market Street
Phone: 432/697-3384
Fax: 432/697-0192

Odessa, TX 79765
P. O. Box 1632 (79760)
13400 W. Business 20 E.
Phone: 432/563-0363
Fax: 432/561-8203

Oklahoma City, OK 73129*
P. O. Box 95205 (73143)
2300 South Prospect
Phone: 405/677-0567
Fax: 405/677-7045

Snyder, TX 79550
P. O. Box 600
Phone: 325/573-2633
Fax: 325/573-6330

Talco, TX 75487
P. O. Box 245, Hwy 71 E.
Phone: 903/379-2101
Fax: 903/379-9842

LUFKIN AUTOMATION

Bakersfield, CA 93308
1400 Easton Dr., Suite 102
Phone: 661/322-6944
Fax: 661/327-0690

Houston, TX 77031 (Headquarters)
11375 W. Sam Houston Pkwy. S., Ste. 800
Phone: 281/495-1100
Fax: 281/495-6333

Midland, TX 79703
2064 Market Street
Phone: 432/697-2228
Fax: 432/697-0192

Oklahoma City, OK 73116
7845 N. Robinson Ave, Suite H1
Phone: 405/848-2611
Fax: 405/848-2646

INTERNATIONAL LOCATIONS

Argentina (Sales)*
LUFKIN Argentina S.A.
Av. Santa Fe 768-3er piso
C1059ABO – Capital Federal
Buenos Aires, Argentina
Phone: +5411-4315-1641
Fax: +5411-4311-8181

Argentina (Plant)*
Parque Ind. Macizo 3
Casilla de Correo 104 (9000) Comodoro
Rivadavia, Argentina
Phone: +54-297-448-1750
Fax: +54-297-448-2735

Australia
28 Addison Ave.
Bulimba QLD 4171 Australia
Phone: +61 424 182 962

Canada (Sales)*
Lufkin Industries Canada Ltd.
#1050, 808-4th Ave S.W.
Calgary, Alberta T2P 3E8
Phone: 403/234-7692
Fax: 403/265-6913

Canada (Plant)*
1107 8A Street
Nisku Industrial Park
Nisku, Alberta T9E 7R3
Phone: 780/955-7566
Fax: 780/955-3359

Canada (Drayton Valley)
Lufkin Oilfield Services
Box 6480
5305 – 56th Avenue
Drayton Valley, Alberta T7A 1R9
Phone: 780/542-5213
Fax: 780/542-9225

Canada (Medicine Hat)*
Lufkin Oilfield Services
2148 Brier Park Place NW
Medicine Hat, Alberta T1C 1S6
Phone: 403/581-0412
Fax: 403/581-0413

Egypt*
Lufkin Middle East
Rd. 281 #5
New Maadi, Cairo, Egypt
Phone: 20-2-754-8828
Fax: 20-2-519-3734

Oman
Lufkin & Partners
Way No: 4886
Block 248, Building 5498
Al-Athaibah, Sultanate of Oman
Phone: 96 8 24491090
Fax: 96 8 24499591

Russia
Ul. Mikluho-Maklaya,
House 38, Apt. 112
Moscow, Russia 117279
Phone: 70-95-429-1228
Fax: 70-95-429-1228

REPRESENTATIVES/DISTRIBUTORS

Africa (North & Central) and France
D.I.M.A.P.E.
21, rue de la Belle Feuille
92100 Boulogne, Billancourt, France
Phone: 33-14-605-8200
Fax: 33-14-603-4799

Z.I. Iduspal B.P.118
64143 Lons Cedex, Pau, France
Phone: 33-55-962-0162
Fax: 33-55-962-0730

Australia
Harbison-Fischer Australia, PTY. Ltd.
Suite 30, 15 Barron Parade
P.O. Box 1200
Joondalup 6919, Western Australia
Phone: +08-9301-4374
Fax: +08-9301-4356

Austria, Hungary and Czech Republic
Premaberg Industrieanlagen Gesellschaft
M.B.H.
A-2362 Biedermansdorf
Josef Madeersperger Str. 3, Austria
Phone: 43-2236-76265-33
Fax: 43-2236-76265-6

Brazil
Polo Comercio e Servicos Ltda.
Rua Maestro Eduardo de Guarnieri, 415
Sao Paulo, SP, CEP 04788-060 Brasil
Phone: 011-5511-5668-6661
Fax: 011-5511-5667-3993

Brunei
Tendrill Co.
Unit No. 13, 1st Flr, Baiduri Bank Bhd
Jln Sultan Omar Ali
P.O. Box 401
Seria KB 1133
Negara Brunei Darussalam
Phone: 673-3-227-484
Fax: 673-3-227-485

Colombia
Indequipos, S.A.
Carrera 106 No. 15-25
Manzana 14 Bodega 79
Bogota, Colombia, S.A.
Phone: +57-1-439-6920
Fax: +57-1-439-6905

Ecuador
Clipper Energy Supply
Juan Leon Mera 1741 & Orellana
Juan Leon Mera Bldg., 4th Floor
Phone: 5932-254-3000
Fax: 5932-252-3400

Guatemala
COAMPSA
15 Calle, 6-38 Zona 10 Of. 3
Guatemala, Guatemala 01010
Phone: 502-337-0971
Fax: 502-337-0041

India
Menon Associates
44, Circular Court, 4th Floor
8, Acharya Jagdish Chandra Bose Road
Kolkata 700 017 India
Phone/Fax: 91-33-2289-3271
Phone: 91-33-2283-5306

Indonesia
PT Putra Rokan Gemilang
Jln. Kali Rejo, Km 04 Kulim
Balai Makam, Mandu
Duri, Riau, Indonesia 28884
Phone: +0765-703-4450 / 8075
Fax: +0765-59-5913

Kuwait
Safwan Petroleum Technologies Co.
P.O. Box 20704
Safat 13068 Kuwait
Phone: +965-398-1283
Fax: +965-398-1457

Libya
Tibisti Oil Services
Addul Street, Tripoli-Libya
P.O. Box 82668
Phone: 218 21-361-1389
Fax: 218 21-360-7782

Trinidad
Industrial Agencies Limited
18 Lady Hailes Ave.
San Fernando, Trinidad W.I.
Phone: 868-657-8561
Fax: 868-652-0884

Turkey
Atikol
Umit mah. 464 Sok. No: 28
06530 Umitkoy
Ankara, Turkey
Phone: +90 312 235 5000
Fax: +90 312 235 8937

U.K.
IOES Limited
6 Princeton Court
55 Felsham Road
Putney, London, SW15 1AZ, U.K.
Phone: 44-02-08-780-1222
Fax: 44-020-8780-1812

Venezuela
Petrotex C.A.
Calle 79 No. 3E-56, Sector La Lago
Maricabo, Venezuela
Phone: +0261-791-0895 / 792-2134
Fax: +0261-792-1917 / 792-9666

*Also includes Lufkin Automation