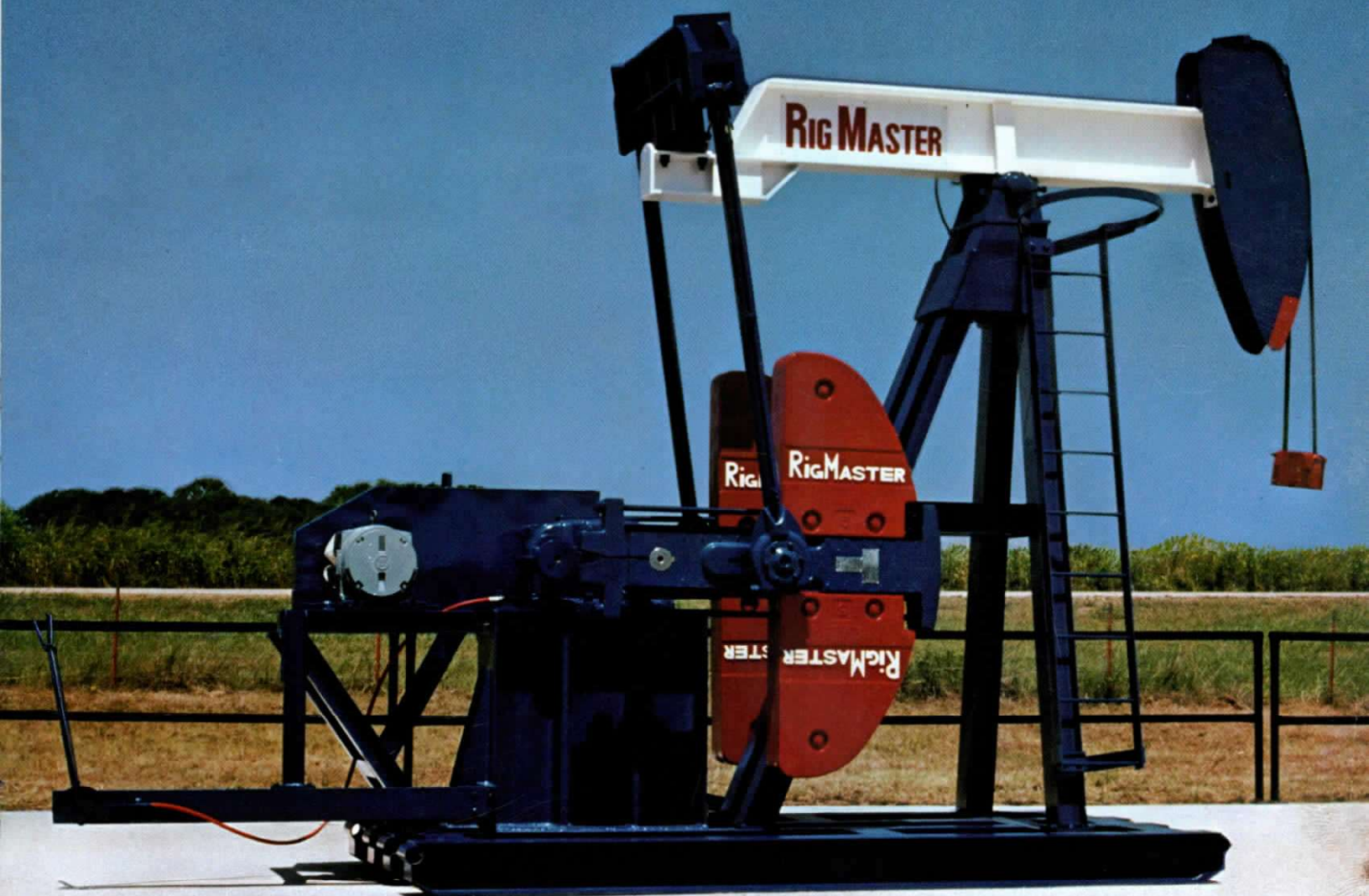


RIGMASTER 80 PUMPING UNITS



RigMaster, Inc.

HOUSTON OFFICES P.O. Box 19801 Houston, Texas 77024 Phone 713-467-4660
PLANT 807 Bohlmann Avenue Schulenburg, Texas 78956 Phone 713-743-4107



RIGMASTER API PUMPING UNITS

SERIES 80 SIZE 228

228,000 INCH POUND PEAK TORQUE REDUCERS

STRUCTURE DATA

Structure Size	246-86	213-86	200-74
Unit Designation	228-246-86	228-213-86	228-200-74
Structure Capacity, Lbs.	24,600	213,000	20,000
Length of Stroke, In.	86,76,66	86,76,66	74,64,54
Walking Beam Size	24 x 117#	24 x 104#	24 x 94#
Saddle Bearing Pt. No.	RM 28124	RM 28124	RM 28124
Tailbearing Pt. No.	RM 28125	RM 28125	RM 28125
Wrist Pin Bearing Pt. No.	RM 28123	RM 28123	RM 28123
Pitman Size	3 1/2" x Sch. 80 Pipe	3 1/2" x Sch. 80 Pipe	3 1/2" x Sch. 80 Pipe
Wire Line Hanger	1 1/4" x 10 1/8" Ctrs.	1 1/4" x 10 1/8" Ctr.	1 1/4" x 10 1/8" Ctrs.
Cranks	71034	71034	RM 16102
Net Structure Unbalance	+ 570	+ 1030	+ 1500

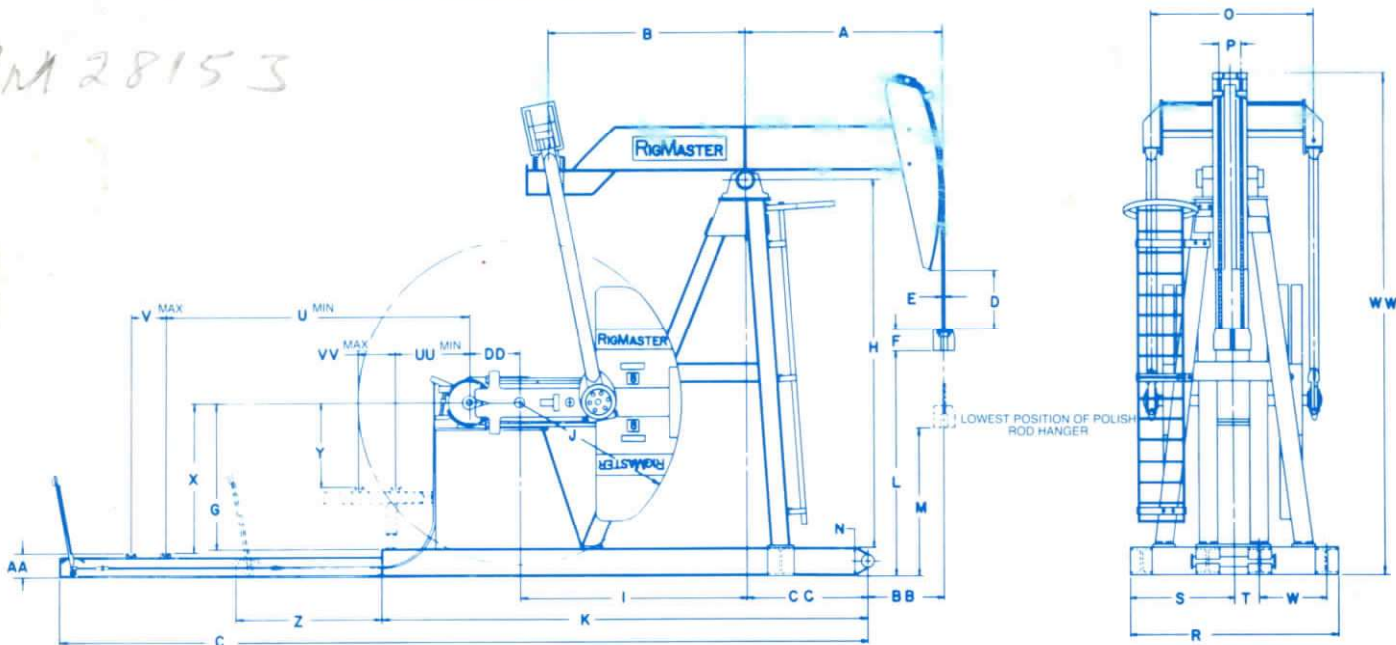
GEAR REDUCER DATA

Reducer Size	228
Peak Torque @ 20 S.P.M.	228,000 In./Lbs.
Gear Ratio, Double Reduction	30.085:1
Crankshaft Diameter	5 1/2; Key - 1 1/4 x 1 1/4 x 7 1/2 Lg.
V-Belt Sheave Outside Diameter	Std. - 44" 4G4C
Diameter of Reducer High Speed Shaft	2 1/4; Key - 5/8 x 5/8 x 4 Lg.
Gear Reducer Oil Capacity, U.S. Gal.	36

OPTIONAL

- Wide Main Base (Portable Type).
- Power Assemblies for: Single Cylinder Engines, Hi Speed Engines, Electric Motors, Elevated or Ground Level.
- Crank Guard Rails
- Two Tone Paint.

RM 28153



Model	A	B	C	D	E	F	G	H	I	J	K	L	M	N	O	P	R	S	T	U	V	W	X	Y	Z	AA	BB	CC	DD	UU	VV	WW	XX
228-246-86	9'-3"	9'-3"	31'-6 1/2"	46 7/16"	1 1/4"	8 5/8"	83"	14'-0 1/8"	121 1/4"	92"	19'-6 1/2"	86 5/8"	44 3/16"	13 3/8"	80"	10 1/8"	96"	48"	13"	111"	48"	31"	78 1/16"	56 1/16"	24 1/2"	18 1/16"	74 3/4"	36 1/4"	31 9/16"	39"	24"	19'-1"	
228-213-86	9'-3"	9'-3"	31'-6 1/2"	46 7/16"	1 1/4"	8 5/8"	83"	14'-0 1/8"	121 1/4"	92"	19'-6 1/2"	86 5/8"	44 3/16"	13 3/8"	80"	10 1/8"	96"	48"	13"	111"	48"	31"	78 1/16"	56 1/16"	24 1/2"	18 1/16"	74 3/4"	36 1/4"	31 9/16"	39"	24"	19'-1"	
228-200-74	9'-3"	9'-3"	31'-6 1/2"	46 7/16"	1 1/4"	8 5/8"	83"	14'-0 1/8"	121 1/4"	76"	19'-6 1/2"	86 5/8"	44 3/16"	13 3/8"	80"	10 1/8"	96"	48"	13"	95"	48"	31"	78 1/16"	56 1/16"	24 1/2"	18 1/16"	74 3/4"	36 1/4"	31 9/16"	39"	24"	19'-1"	