

Shores Conventional Unit

Conventional geometry pumping unit

APPLICATIONS

- All wells that can deploy sucker rod pumping
- Wells with deviations and high rod friction
- Unconventional shale reservoirs
- Conventional oil wells

BENEFITS

- Provides easy installation and maintenance
- Offers long service life of over 25 years with proper maintenance
- Lowers year over year operational cost

FEATURES

- High-load, easily serviced center bearing based on proven railway bearing design
- Dual-axis hinge pin style equalizer bearing for long life and reduced stress in assembly
- High-capacity gear reducer designed far beyond API requirements
- Large low-speed shaft for long life and increased counterbalance support
- Field-serviceable gear reducer design with bolt-on cranks
- Fully enclosed horse head for maximum strength

Shores conventional crank-balanced pumping units offer reliable, cost-effective performance at a competitive price. With more than 14,000 units currently pumping throughout North America, these units consistently exceed the expectations of producers.

Manufactured to API standards, these units deliver high reliability and quiet operations. Shores units have high-capacity saddle bearings, large self-centering drive bearings, and large lubrication reservoirs, providing reliable performance for the long term. These conventional geometry units are stocked in API sizes 80 to 1280.

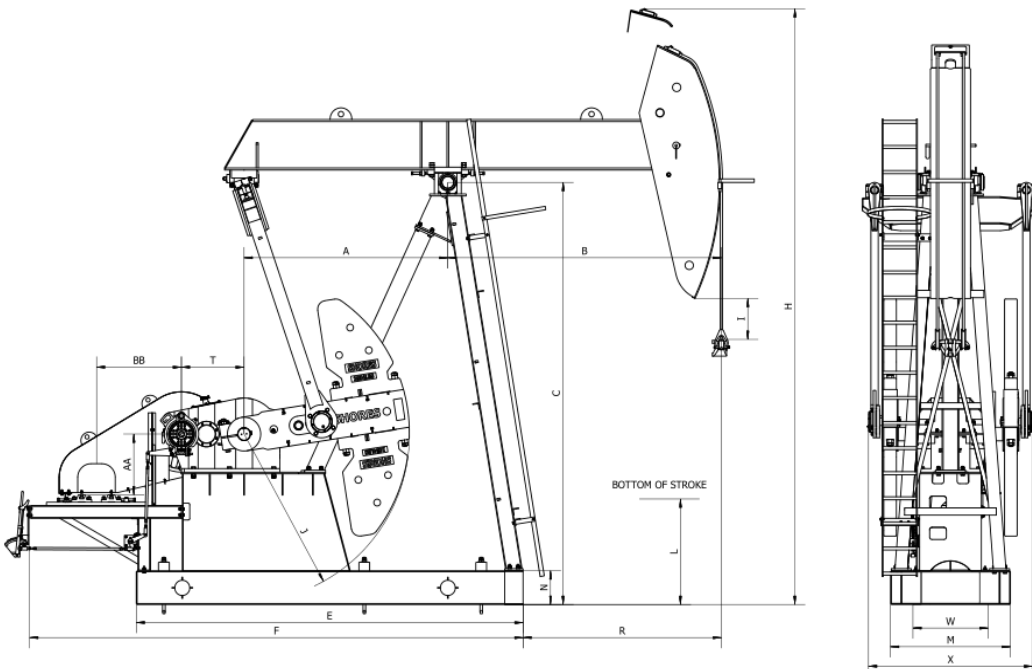
Main Specifications

Specifications	Basic Parameters			Gear Reducer		Balance Assembly	
Model	Rated Polished Rod Capacity, lbm	Stroke Length, in	Rated Torque, in.lbf	Reducer Gear Ratio	Oil Storage Quantity, galUS	Lubricant	Weight of Crank, lbm
C114D-173-64WL	17,300	64	114,000	28.395	25		1,655 × 2
C160D-173-100	17,300	100	160,000	28.593	39		2,022 × 2
C160D-200-74WL	20,000	74	160,000	28.593	39	ISO VG 150 winter	2,022 × 2
C228D-246-86	24,600	86	228,000	28.91	43	ISO VG 220 summer	3,106 × 2
C228D-256-120	25,600	120	228,000	28.91	43		3,106 × 2
C320D-305-100	30,500	100	320,000	29.46	75		3,106 × 2
C320D-256-120	25,600	120	320,000	29.46	75	ISO VG 150 winter	3,106 × 2
C320D-305-120	30,500	120	320,000	29.46	75	ISO VG 220 summer	3,106 × 2
C320D-256-144	25,600	144	320,000	29.46	75		3,106 × 2
C456D-305-120	30,500	120	456,000	28.84	110		3,106 × 2
C456D-365-120	36,500	120	456,000	28.84	110		4,699 × 2
C456D-305-144	30,500	144	456,000	28.84	110	ISO VG 150 winter	4,699 × 2
C456D-365-144	36,500	144	456,000	28.84	110	ISO VG 220 summer	4,699 × 2
C456D-305-168	30,500	168	456,000	28.84	110		4,699 × 2
C640D-305-120	30,500	120	640,000	29.32	106		3,106 × 2
C640D-365-120	36,500	120	640,000	29.32	106		4,699 × 2
C640D-305-144	30,500	144	640,000	29.32	106	ISO VG 150 winter	4,699 × 2
C640D-365-144	36,500	144	640,000	29.32	106	ISO VG 220 summer	4,699 × 2
C640D-427-144	42,700	144	640,000	29.32	106		4,699 × 2
C640D-305-168	30,500	168	640,000	29.32	106		4,699 × 2
C640D-365-168	36,500	168	640,000	29.32	106		4,699 × 2
C640D-365-192	30,500	192	640,000	29.32	106	ISO VG 150 winter	4,699 × 2
C912D-365-144	36,500	144	912,000	28.79	180	ISO VG 220 summer	4,699 × 2
C912D-427-144	42,700	144	912,000	28.79	180		4,699 × 2
C912D-305-168	30,500	168	912,000	28.79	180		4,699 × 2
C912D-365-168	36,500	168	912,000	28.79	180		4,699 × 2
C912D-427-168	42,700	168	912,000	28.79	180	ISO VG 150 winter	4,699 × 2
C912D-365-192	36,500	192	912,000	28.79	180	ISO VG 220 summer	4,699 × 2
C912D-427-192	42,700	192	912,000	28.79	180		4,699 × 2
C1280D-365-192	36,500	192	1,280,000	28.672	185		4,699 × 2
C1280D-427-192	42,700	192	1,280,000	28.672	185	ISO VG 150 winter	4,699 × 2
C1280D-365-240	36,500	240	1,280,000	28.672	185	ISO VG 220 summer	5,971 × 2
C1280D-427-240	42,700	240	1,280,000	28.672	185		5,971 × 2

Shores Conventional Unit

Dimensional Data, in

Model	A	B	C	E	F	H	I	J	L	M	N	R	T	W	X	AA	BB
C114D-173-64WL	84.06	84.06	165.94	161.81	273.62	232.48	26.77	68.11	64.57	81.89	15.59	52.95	25.59	35.43	71.30	52.48	94.29
C160D-173-100	96.06	128.94	196.06	182.28	254.17	295.47	26.38	77.95	57.09	56.54	15.59	93.50	29.53	35.43	77.87	28.22	40.03
C160D-200-74WL	96.06	96.06	196.06	303.15	303.15	271.85	28.74	77.95	82.28	81.89	15.59	60.63	29.53	81.89	77.24	62.32	100.39
C228D-246-86	111.02	110.98	231.97	206.14	267.17	315.94	33.07	95.00	103.94	70.08	19.69	70.87	33.46	37.01	83.31	40.98	54.33
C228D-256-120	111.02	155.00	231.97	206.14	267.17	348.74	27.95	95.00	73.23	70.08	19.69	114.88	33.46	37.01	83.31	40.98	54.33
C320D-305-100	111.02	129.02	231.97	210.51	270.83	330.24	28.35	95.00	71.46	70.08	19.69	88.90	37.40	42.91	90.39	40.98	54.33
C320D-256-120	111.02	155.00	231.97	210.51	270.83	347.83	27.95	95.00	73.23	70.08	19.69	114.88	37.40	42.91	90.39	40.98	54.33
C320D-305-120	111.02	155.00	231.97	210.51	270.83	347.83	29.13	95.00	73.23	70.08	19.69	114.88	37.40	42.91	90.39	40.98	54.33
C320D-256-144	120.00	180.00	260.00	226.22	295.28	398.03	28.94	109.84	75.00	81.89	23.62	132.36	37.40	42.91	90.39	52.09	58.46
C456D-305-120	111.02	155.00	233.98	223.35	280.83	347.83	27.56	95.00	75.20	81.89	23.62	114.88	39.37	46.85	102.44	37.28	63.94
C456D-365-120	120.00	152.01	261.97	239.84	297.32	347.83	28.74	109.84	100.39	81.89	23.62	104.37	39.37	46.85	104.02	50.75	63.94
C456D-305-144	120.00	180.00	260.00	239.84	297.32	398.03	28.94	109.84	75.00	81.89	23.62	132.36	39.37	46.85	104.02	50.75	63.94
C456D-365-144	120.00	180.00	261.97	239.84	297.32	399.76	29.33	109.84	77.56	81.89	23.62	132.36	39.37	46.85	104.02	50.75	63.94
C456D-305-168	120.00	210.04	261.97	239.84	297.32	421.65	29.92	109.84	52.76	81.89	23.62	162.40	39.37	46.85	104.02	50.75	63.94
C640D-305-120	111.02	155.00	233.98	225.71	283.19	347.83	27.56	95.00	75.20	81.89	23.62	114.88	41.34	46.85	100.83	37.28	64.33
C640D-365-120	120.00	152.01	261.97	242.20	299.69	347.83	28.74	109.84	100.39	81.89	23.62	104.37	41.34	46.85	102.40	50.75	64.33
C640D-305-144	120.00	180.00	260.00	242.20	299.69	399.76	28.94	109.84	75.00	81.89	23.62	132.36	41.34	46.85	102.40	50.75	64.33
C640D-365-144	120.00	180.00	261.97	242.20	299.69	399.76	29.33	109.84	77.56	81.89	23.62	132.36	41.34	46.85	102.40	50.75	64.33
C640D-427-144	120.00	180.00	261.97	242.20	299.69	399.76	29.33	109.84	77.56	81.89	23.62	132.36	41.34	46.85	102.40	50.75	64.33
C640D-305-168	120.00	210.04	261.97	242.20	299.69	421.65	29.92	109.84	52.76	81.89	23.62	162.40	41.34	46.85	102.40	50.75	64.33
C640D-365-168	120.00	210.04	261.97	242.20	299.69	421.65	29.92	109.84	52.76	81.89	23.62	162.40	41.34	46.85	102.40	50.75	64.33
C640D-365-192	120.00	210.04	286.02	265.23	322.72	458.74	28.15	109.84	56.69	81.89	23.62	139.37	41.34	46.85	102.40	50.75	64.33
C912D-365-144	120.00	180.00	261.97	250.16	307.64	399.76	29.33	109.84	77.56	81.89	23.62	132.36	48.43	46.85	106.38	50.75	65.20
C912D-427-144	120.00	180.00	261.97	250.16	307.64	399.76	29.33	109.84	77.56	81.89	23.62	132.36	48.43	46.85	106.38	50.75	65.20
C912D-305-168	120.00	210.04	261.97	250.16	307.64	421.65	29.92	109.84	52.76	81.89	23.62	162.40	48.43	46.85	106.38	50.75	65.20
C912D-365-168	120.00	210.04	261.97	250.16	307.64	421.65	29.92	109.84	52.76	81.89	23.62	162.40	48.43	46.85	106.38	50.75	65.20
C912D-427-168	120.00	210.04	261.97	250.16	307.64	421.65	29.92	109.84	52.76	81.89	23.62	162.40	48.43	46.85	106.38	50.75	65.20
C912D-365-192	120.00	210.04	286.02	273.19	330.67	458.74	28.15	109.84	56.69	81.89	23.62	139.37	48.43	46.85	106.38	50.75	65.20
C912D-427-192	120.00	210.04	286.02	273.39	330.87	458.74	28.35	109.84	55.12	81.89	23.62	139.37	48.43	46.85	106.38	50.75	65.20
C1280D-365-192	120.00	210.04	286.02	279.88	337.36	458.74	28.35	109.84	55.12	86.61	23.62	139.17	56.69	50.00	119.29	63.43	50.75
C1280D-427-192	120.00	210.04	286.02	279.88	337.36	458.74	28.35	109.84	55.12	86.61	23.62	139.17	56.69	50.00	119.29	63.43	50.75
C1280D-365-240	127.56	228.35	331.89	287.44	344.92	533.86	29.33	118.11	55.70	86.61	23.62	157.48	56.69	50.00	119.29	59.02	63.43
C1280D-427-240	127.56	228.35	331.89	287.44	344.92	533.86	29.33	118.11	55.70	86.61	23.62	157.48	56.69	50.00	119.29	59.02	63.43



Shores Conventional Unit

Counterbalance Data

Specifications				
Model	Structural Unbalance, lbm	Cranks	Effective Counterbalance (ECB) Cranks Only, ft.lbf	Max. ECB, ft.lbf
C114D-173-64WL	500	GRC170	4,104	13,780
C160D-173-100	-220	GRC110	2,945	10,485
C160D-200-74WL	700	GRC110	4,946	15,061
C228D-246-86	1,069	GRC130	8,262	26,617
C228D-256-120	50	GRC130	5,224	18,401
C320D-305-100	755	GRC130	6,972	22,802
C320D-256-120	-70	GRC130	5,104	18,281
C320D-305-120	120	GRC130	5,294	18,471
C456D-305-120	180	GRC130A	5,357	19,672
C640D-305-120				
C456D-365-120	760	GRC120	9,526	32,130
C640D-365-120				
C320D-256-144	-930	GRC120E	5,699	24,842
C456D-305-144	-285	GRC120	7,139	26,282
C640D-305-144				
456-365-144	-365	GRC120	7,037	32,374
640-365-144				
640-427-144				
912-365-144				
912-427-144				
C456D-305-168	-1,400	GRC120	4,944	29,828
C640D-305-168				
C640D-365-168				
C912D-305-168				
C912D-365-168				
C912D-427-168	-1,255	GRC120B	5,093	29,976
C640D-365-192	-1,900	GRC120A	3,795	25,932
C912D-365-192				
C912D-427-192	-2,070	GRC120C	3,629	25,766
C1280D-365-192	-2,070	GRC120D	3,629	29,457
C1280D-427-192				
C1280D-365-240	-2,900	GRC140	3,430	26,852
C1280D-427-240	-3,400	GRC140	2,930	26,352

slb.com/rodlift