

Model No. 10-40-14



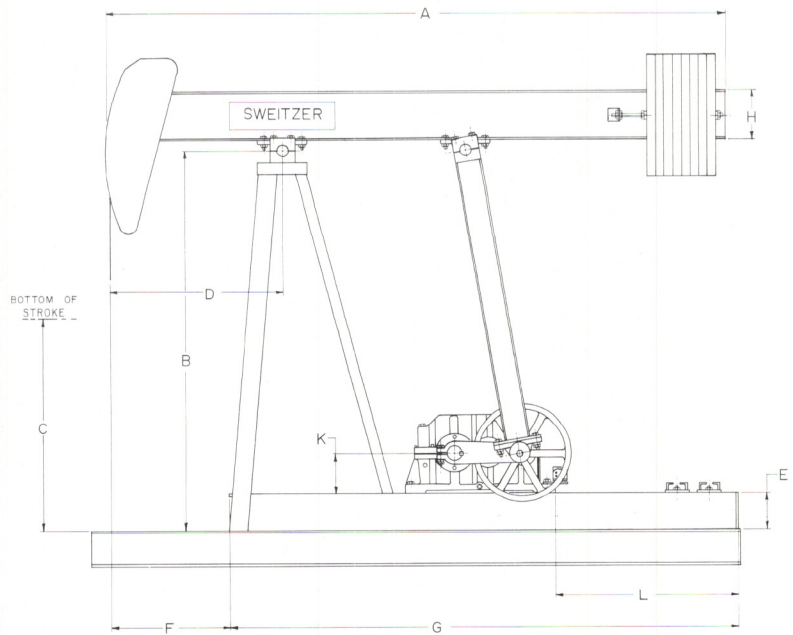
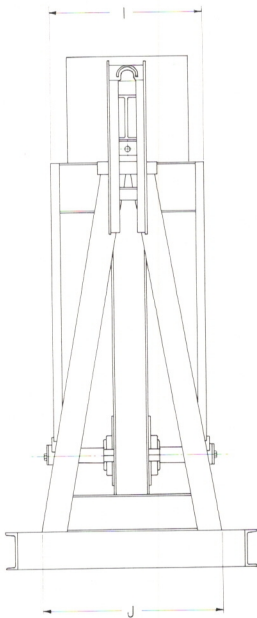
Specifications for Sweitzer Pumping Units

Model No. 10-40-14 GEAR REDUCER

Peak Torque Rating	10,000 in. lbs.
Nominal Horsepower Rating	3.2 @ 20 s.p.m.
Reduction Ratio	40:1
Type Bearings	Tapered Roller
Sheave Section	1b x 12.5" dia.
Oil Capacity	2.5 qts.

STRUCTURE

Unit Structure Rating	4,000 lbs.
Stroke	14"
Well Working Center	15"
Walking Beam Section and Weight	6" x 4" wf 12 lb.
Height of Saddle Bearing Above Top of Foundation	48"
Overall Length of T-frame	65"
Width of T-frame	24"
Section and Weight of Main T-frame Members	5" channel 6.7 lb.
Length of Base	84"
Width of Base	42"
Beam Counter Weights	65 lbs.
Wrist Pin Bearings	Bushing-Sweitzer Wear Ever
Total Weight of Unit	750 lbs.



	A	B	C	D	E	F	G	H	I	J	K	L
10-40-14	84-1/2	48	30	24	5	15	65	6	21-1/4	24-3/4	5	21

Sweitzer Manufacturing, Inc.

Highway 31-W North
 CAVE CITY, KENTUCKY 42127
 Office (502) 773-2179 or 773-2170