

Model No. 16-53-24



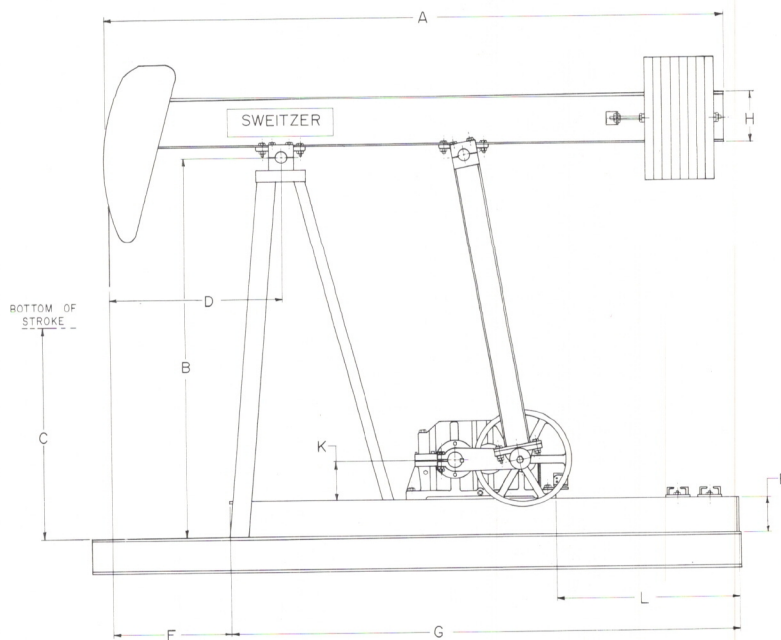
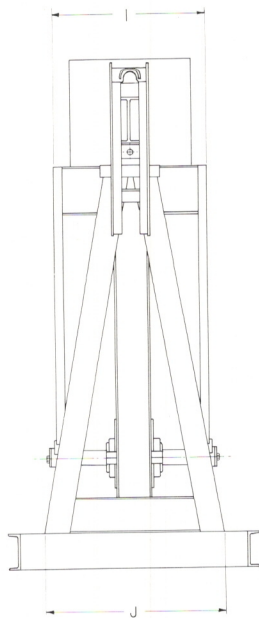
Specifications for Sweitzer Pumping Units

Model No. 16-53-24 GEAR REDUCER

Peak Torque Rating	16,000 in. lbs.
Nominal Horsepower Rating	5.1
Reduction Ratio	36.7:1
Type Bearings	Tapered Roller
Sheave Section	2b x 16" dia.
Oil Capacity	7.5 qts.

STRUCTURE

Unit Structure Rating	5,300 lbs.
Stroke	20" to 24"
Well Working Center	21"
Walking Beam Section and Weight	8" x 4" wf 15 lbs.
Height of Saddle Bearing Above Top of Foundation	62"
Overall Length of T-frame	84"
Width of T-frame at Samson Post	30"
Section and Weight of Main T-frame Members	6" channel 8.2 lbs.
Length of Base	108"
Width of Base	42"
Beam Counter Weights	150 lbs.
Wrist Pin Bearings	Bushing-Sweitzer Wear Ever
Total Weight of Unit	1,236 lbs.



	A	B	C	D	E	F	G	H	I	J	K	L
16-53-24	104	63	40	30	6	20	84	8	26	30-1/4	6-5/8	30

Sweitzer Manufacturing, Inc.

Highway 31-W North
 CAVE CITY, KENTUCKY 42127
 Office (502) 773-2179 or 773-2170

(over)