



Model No. 40-67-36



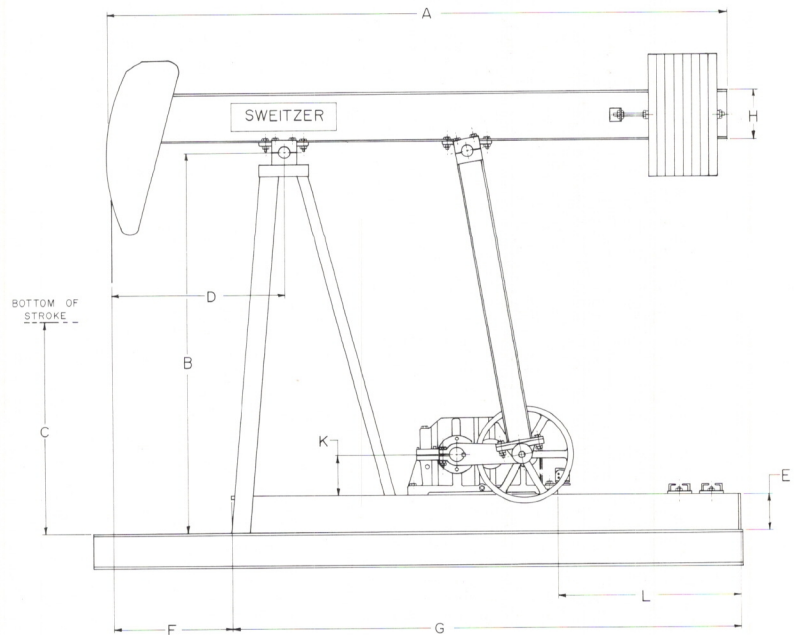
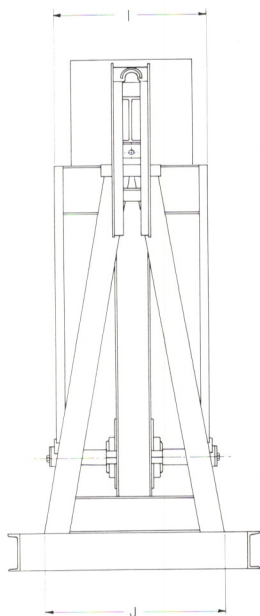
Specifications for Sweitzer Pumping Units

Model No. 40-67-36 GEAR REDUCER

Peak Torque Rating	40,000 in. lbs.
Nominal Horsepower Rating	12.7
Reduction Ratio	29:49:1
Type Bearings	Tapered Roller
Sheave Section	3B x 20" dia.
Oil Capacity	19 qts.

STRUCTURE

Unit Structure Rating	6,700 lbs.
Stroke	30-36"
Well Working Center	31"
Walking Beam Section and Weight	14" @ 26 lbs.
Height of Saddle Bearing Above Top of Foundation	80"
Overall Length of T-frame	108"
Width of T-frame	36"
Section and Weight of Main T-frame Members	8" channel 11.5 lbs.
Length of Base	144"
Width of Base	47"
Beam Counter Weights	150 lbs.
Wrist Pin Bearings	Bushing-Sweitzer Wear Ever
Total Weight of Unit	2,750 lbs.



	A	B	C	D	E	F	G	H	I	J	K	L
40-67-36	142	80	47	44	8	32	110	14	37	37	9-5/8	37

Sweitzer Manufacturing, Inc.

Highway 31-W North
 CAVE CITY, KENTUCKY 42127
 Office (502) 773-2179 or 773-2170

(over)