



Model No. 40-89-42



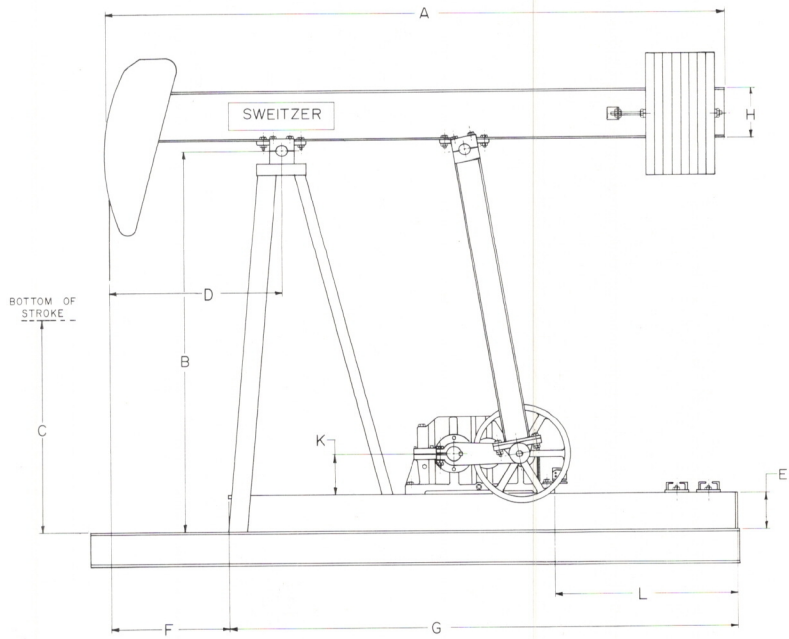
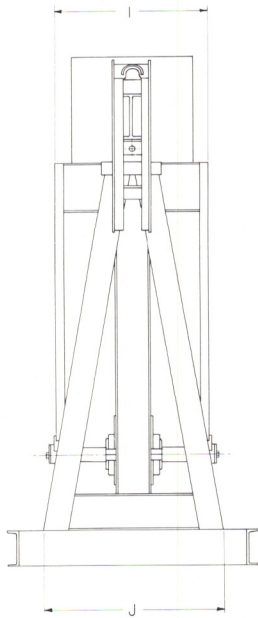
Specifications for Sweitzer Pumping Units

Model No. 40-89-42 GEAR REDUCER

Peak Torque Rating	40,000 in. lbs.
Nominal Horsepower Rating	12.7
Reduction Ratio	29.49:1
Type Bearings	Tapered Roller
Sheave Section	3B x 20" dia.
Oil Capacity	19 qts.

STRUCTURE

Unit Structure Rating	8,900 lbs.
Stroke	36" to 42"
Well Working Center	45"
Walking Beam Section and Weight	12" at 35 lbs.
Height of Saddle Bearing Above Top of Foundation	91"
Overall Length of T-frame	147"
Width of T-frame at Samson Post	42"
Section and Weight of Main T-frame Members	10" channel 15.3 lbs.
Length of Base	180"
Width of Base	76"
Beam Counter Weights	150 lbs.
Wrist Pin Bearings	Bushing-Sweitzer Wear Ever
Total Weight of Unit	4,300 lbs.



	A	B	C	D	E	F	G	H	I	J	K	L
40-89-42	172	93-1/2	56	56	10	45	147	12	37	42-3/4	19-1/8	60

Sweitzer Manufacturing, Inc.

Highway 31-W North
 CAVE CITY, KENTUCKY 42127
 Office (502) 773-2179 or 773-2170

(over)